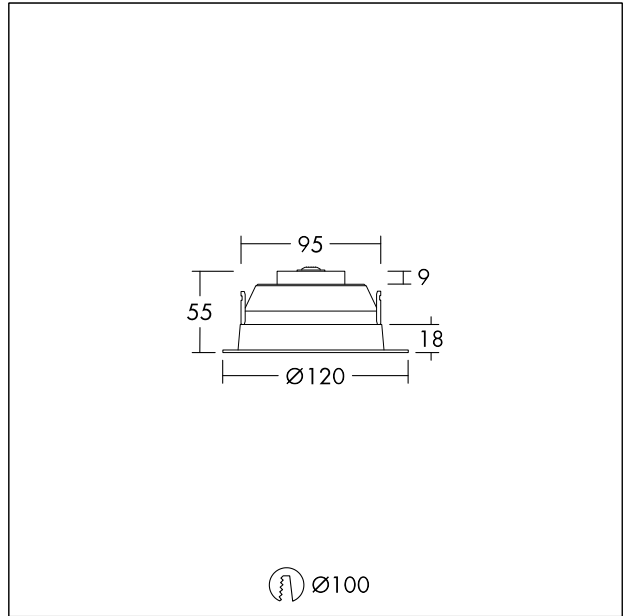


Recessed LED downlight

Recessed LED downlight one for one replacement for traditional 1x18W compact fluorescent downlights. Consistent light output with no shadowing. High efficacy, up to 80% energy saving compared with fluorescent light sources. Ceiling cutout Ø 100mm - identical to traditional products. AMY VARIO LED can be installed into a wide range of ceiling types of 2-20mm thickness. THD<25%. Switchable colour temperature: choose between warm white (3000K) and neutral white (3500K) and cold white (4000K) to suit application use. Photobiological Risk Group RG0. LED driver suitable for use with leading and trailing-edge dimmer switches. Plug&Play with "Just Emergency E3 KIT" for 3h emergency operation. Body: steel, white finish (RAL 9003). Diffuser: polycarbonate, weight: 0.25 kg.



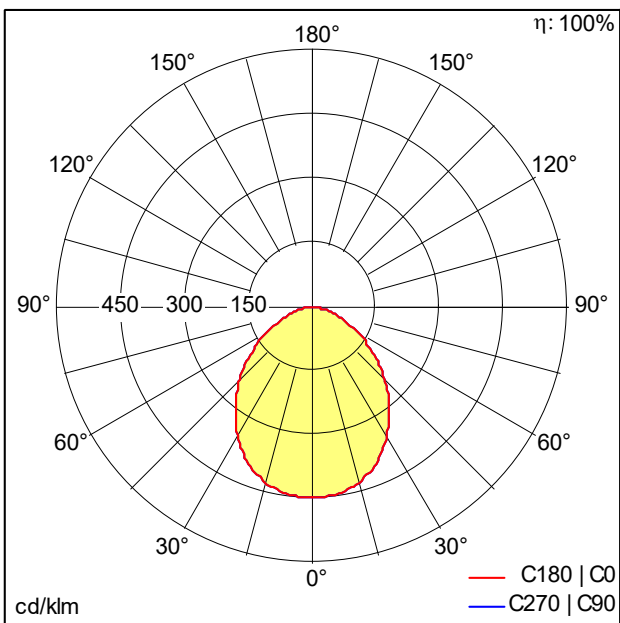
TE_AMYVARIO_F_125.jpg



TE_AMYVARIO_M_125.wmf

Light Distribution

STD - standard



- Light Source: LED
- Luminaire luminous flux*: 701 lm
- Total emergency luminous flux: 336 lm
- Luminaire efficacy*: 100 lm/W
- Colour Rendering Index min.: 80
- Correlated colour temperature*: 3000-4000 Kelvin
- Chromaticity tolerance (initial MacAdam): 4
- Rated median useful life*:
L80 50000 h at 25 °C
- Ballast: 1x LED_Con
- Luminaire input power*: 7 W Power factor = 0.9
- Dimming: PCDCG dimmable to 10%
- Maintenance category CIE 97: D - Enclosed IP2X
- Total harmonic distortion (THD): 25.00 %

This product contains a light source of energy efficiency class D.

All values marked with an * are rated values. Connected electrical load and luminous flux are subject to an initial tolerance of +/- 10%, the most similar colour temperature is subject to an initial tolerance of +/- 150K. Unless stated otherwise, the values apply to an ambient temperature of 25°C.