



# Ledinaire High-bay

## BY021P LED200S/840 PSU WB GR

Ledinaire High-bay - Power supply unit - Wide beam - 100°

The Ledinaire range contains a selection of popular off-the-shelf LED luminaires, each of which come with the high Philips quality levels and competitive price. Reliable, energy-efficient and affordable – just what you need.

### Product data

General Information	
Beam angle of light source	100°
Light source color	840 neutral white
Light source replaceable	No
Number of gear units	1 unit
Driver/power unit/transformer	Power supply unit
Driver included	Yes
Optic type	Wide beam
Luminaire light beam spread	100°
Control interface	-
Connection	Connection unit 3-pole
Cable	Cable 0.3 m with connector 3-pole
Protection class IEC	Safety class I
Glow-wire test	Temperature 650 °C, duration 30 s
Flammability mark	-
CE mark	CE mark
ENEC mark	-
Warranty period	3 years
Constant light output	No
Number of products on MCB of 16 A type B	12
EU RoHS compliant	Yes

Service tag	Yes
Unified glare rating CEN	Not applicable
Operating and Electrical	
Input Voltage	220 to 240 V
Input Frequency	50 to 60 Hz
Initial CLO power consumption	- W
Average CLO power consumption	- W
Inrush current	10.8 A
Inrush time	0.15 ms
Power Factor (Min)	0.95

### Controls and Dimming

Dimmable	No
----------	----

### Mechanical and Housing

Housing Material	Aluminum
Reflector material	Aluminum
Optic material	Polycarbonate
Optical cover/lens material	Polycarbonate
Fixation material	-

## Ledinaire High-bay

Optical cover/lens finish	Frosted
Overall height	60 mm
Overall diameter	344 mm
Color	Dark gray
Dimensions (Height x Width x Depth)	60 x NaN x NaN mm (2.4 x NaN x NaN in)

### Approval and Application

Ingress protection code	IP65 [ Dust penetration-protected, jet-proof]
Mech. impact protection code	IK06 [ 1 J]

### Initial Performance (IEC Compliant)

Initial luminous flux (system flux)	20000 lm
Luminous flux tolerance	+/-10%
Initial LED luminaire efficacy	105 lm/W
Init. Corr. Color Temperature	4000 K
Init. Color Rendering Index	>80
Initial chromaticity	(0.38, 0.38) SDCM <5
Initial input power	190 W
Power consumption tolerance	+/-10%

### Over Time Performance (IEC Compliant)

Control gear failure rate at median useful life 7.5 %  
50000 h

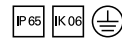
Lumen maintenance at median useful life\* L65  
50000 h

### Application Conditions

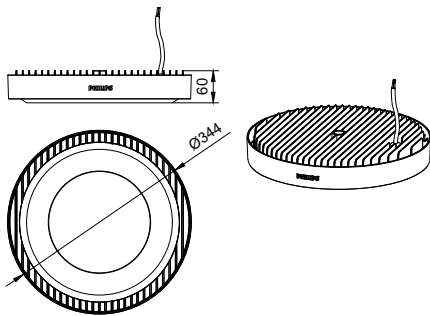
Ambient temperature range	-20 to +45 °C
Performance ambient temperature Tq	35 °C
Maximum dim level	Not applicable
Suitable for random switching	Yes

### Product Data

Full product code	871016333998699
Order product name	BY021P LED200S/840 PSU WB GR
EAN/UPC - Product	8710163339986
Order code	911401599751
Numerator - Quantity Per Pack	1
Numerator - Packs per outer box	4
Material Nr. (12NC)	911401599751
Net Weight (Piece)	3.500 kg



## Dimensional drawing



Ledinaire Highbay

