

QDX 630H - IP55

QDX 1600H - IP55

GEWISS



H (mm)	Cod.	H (mm)	Cod.	H (mm)	Cod.
1600	GWD3214	1600	GWD3211	1600	GWD3199
1800	GWD3215	1800	GWD3212	1800	GWD3200
2000	GWD3216	2000	GWD3213	2000	GWD3201

H (mm)	Cod.	H (mm)	Cod.	H (mm)	Cod.
1600	GWD3205	1600	GWD3202	1600	GWD3208
1800	GWD3206	1800	GWD3203	1800	GWD3209
2000	GWD3207	2000	GWD3204	2000	GWD3210

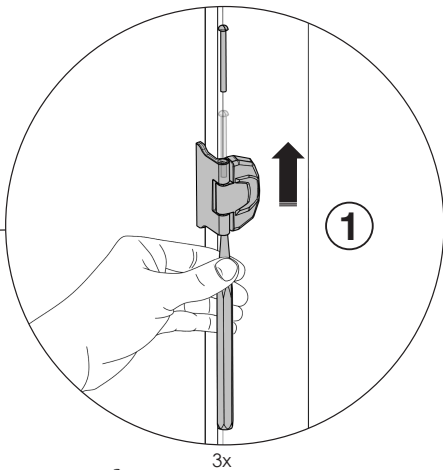
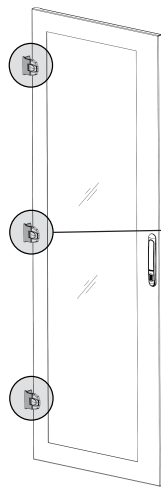
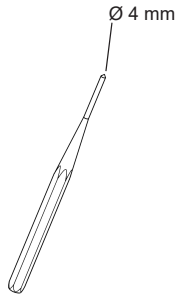
Montaggio cerniere

Mounting of hinges

Montage des charnières

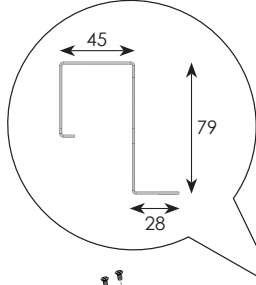
Montaje de bisagras

Montage des Angeln



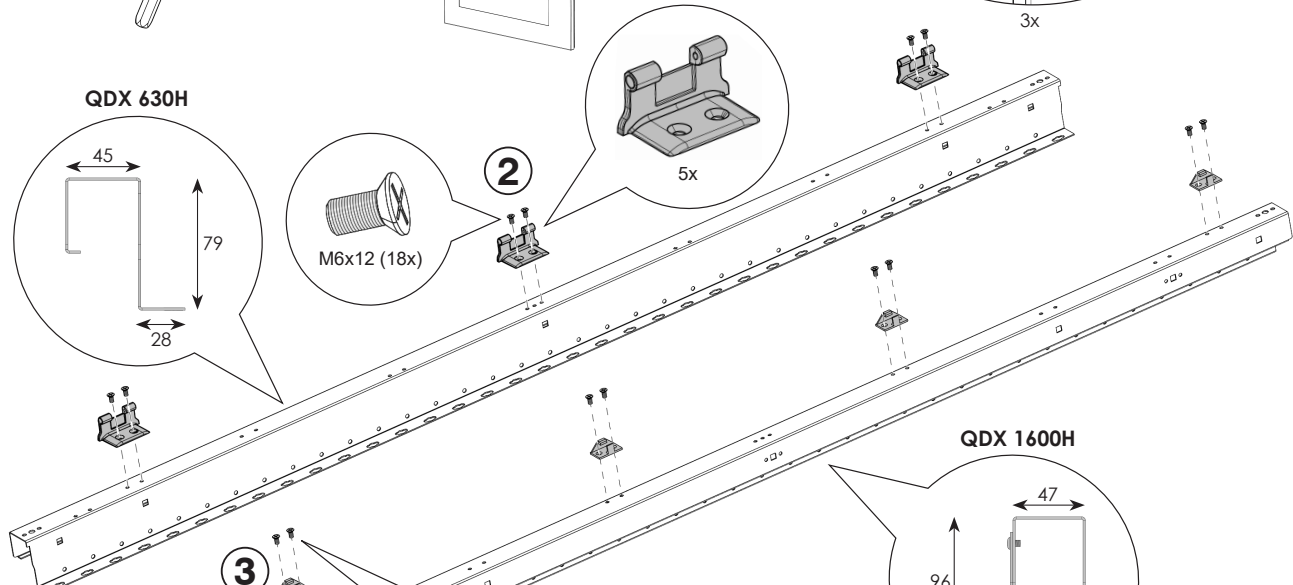
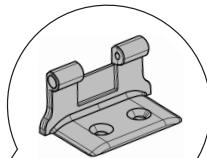
3x

QDX 630H

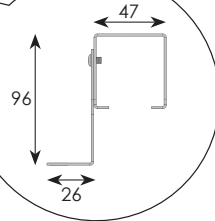


2

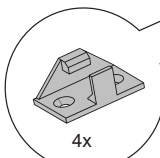
5x



QDX 1600H



3



4x



M6x12 (18x)

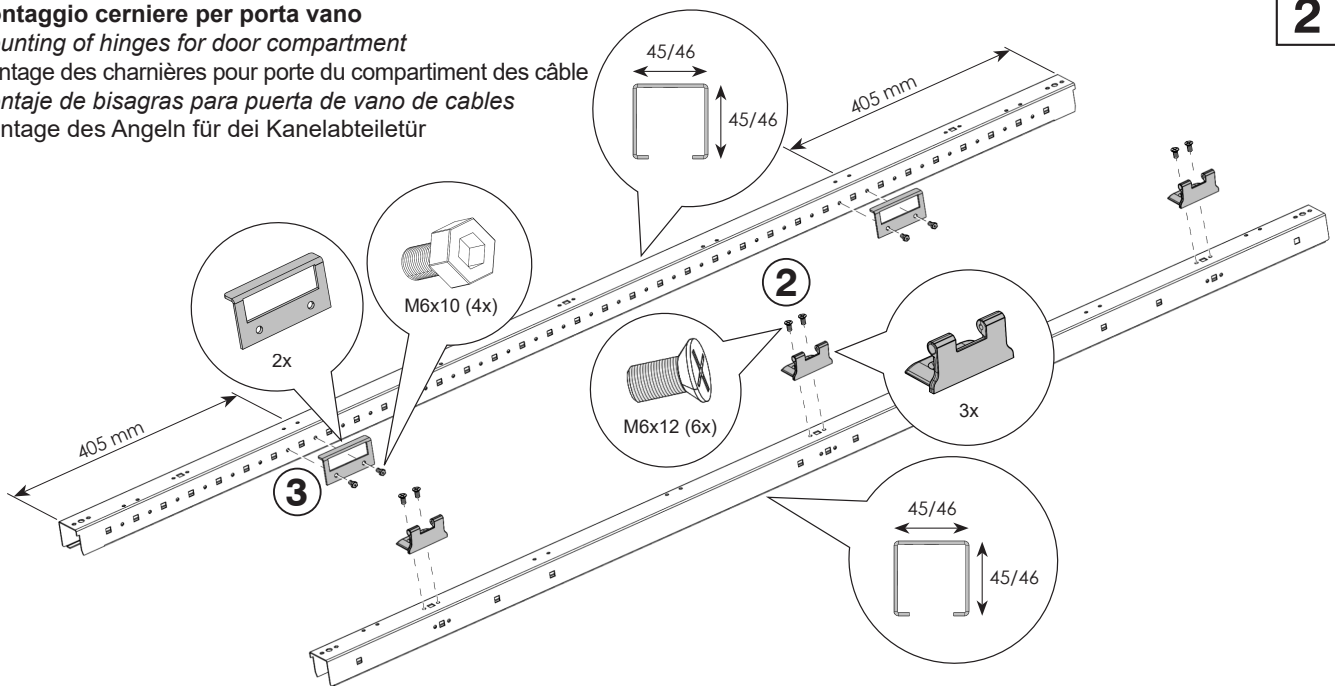
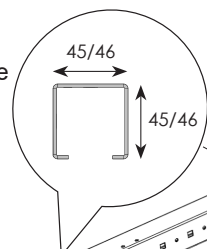
Montaggio cerniere per porta vano

Mounting of hinges for door compartment

Montage des charnières pour porte du compartiment des câbles

Montaje de bisagras para puerta de vano de cables

Montage des Angeln für dei Kanelabteiletür

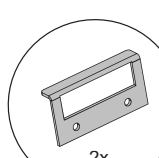


2

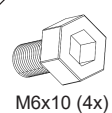
3x



M6x12 (6x)

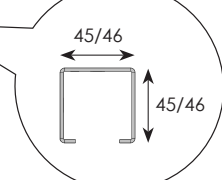


2x



M6x10 (4x)

3



405 mm

45/46

45/46

45/46

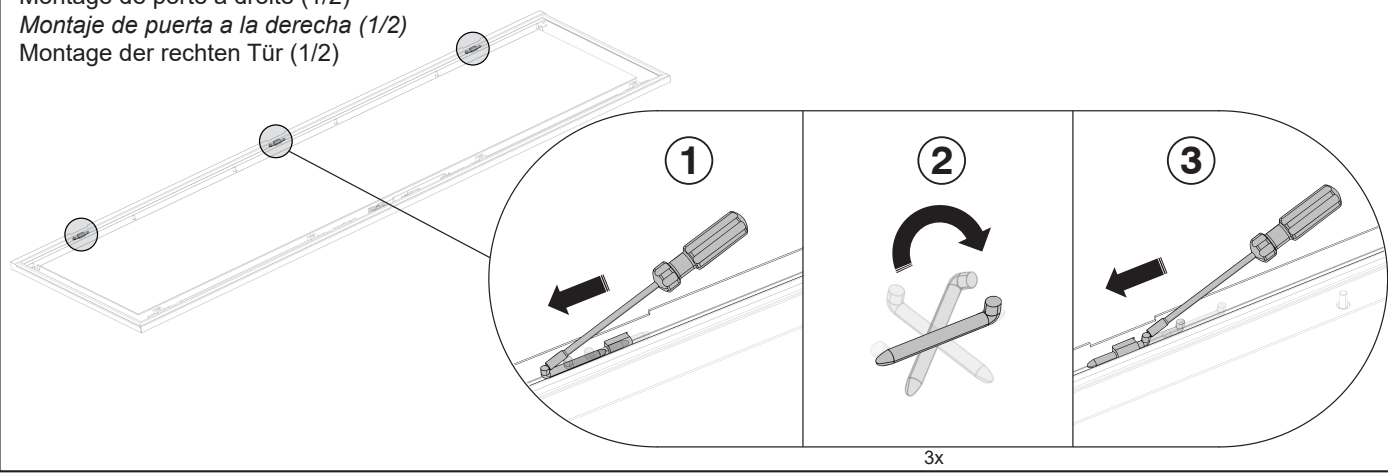
45/46

45/46

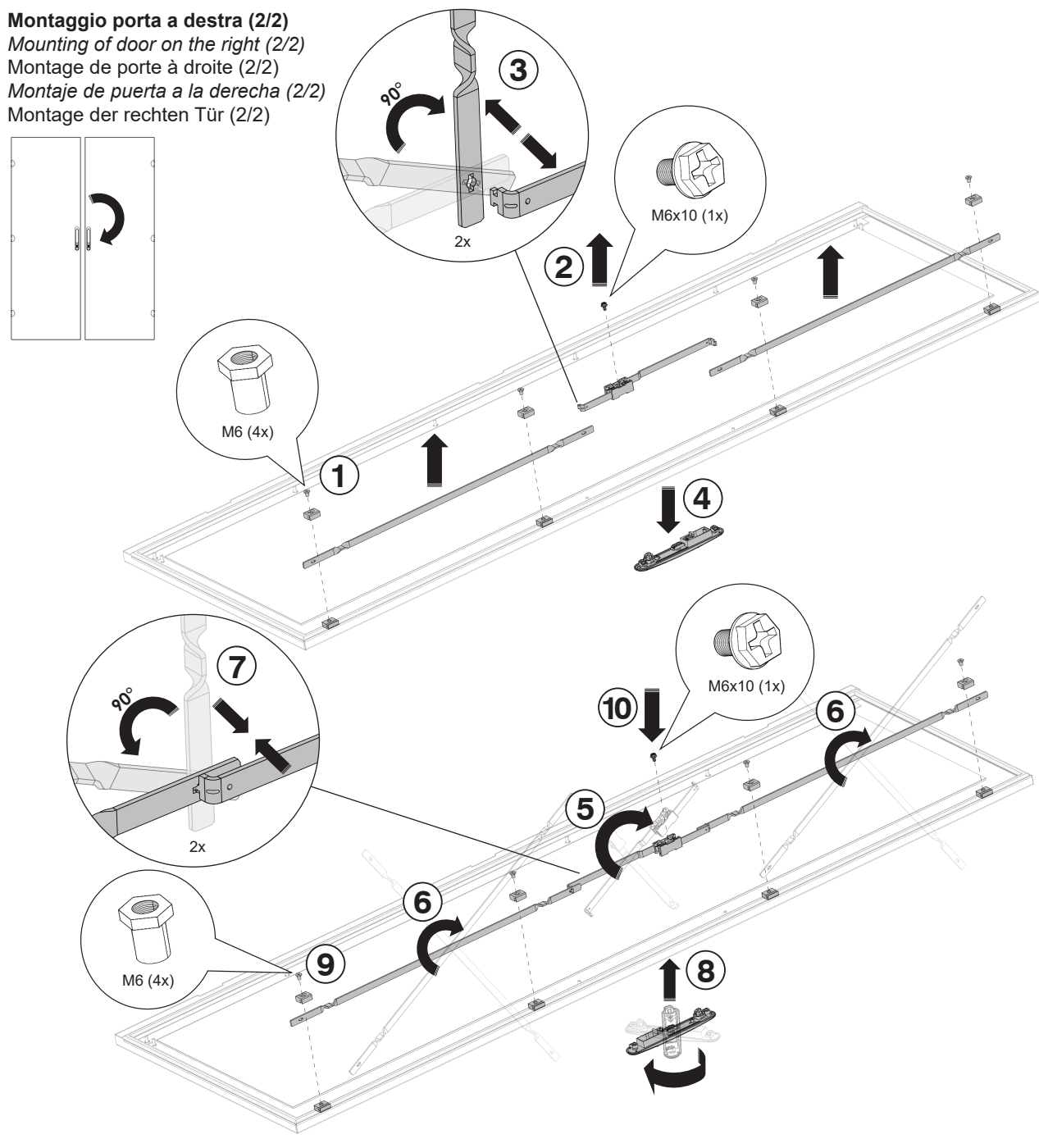
45/46

405 mm

Montaggio porta a destra (1/2)
Mounting of door on the right (1/2)
 Montage de porte à droite (1/2)
 Montaje de puerta a la derecha (1/2)
 Montage der rechten Tür (1/2)



Montaggio porta a destra (2/2)
Mounting of door on the right (2/2)
 Montage de porte à droite (2/2)
 Montaje de puerta a la derecha (2/2)
 Montage der rechten Tür (2/2)



Montaggio porta
Mounting of door
Montage de porte
Montaje de puerta
Montage der Tür

5

M5 (1x)

1

2

3

1x

M5x16 (1x)

3x

Solo per B=850mm (35 mod.)
Only for W=850mm (35 mod.)
Seulement pour L=850mm (35 mod.)
Solo para B=850mm (35 mod.)
Nur für B=850mm (35 mod.)

Smontaggio porta
Disassembly of door
Démontage de porte
Desmontaje de puerta
Demontage der Tür

6

3x

Apertura/Chiusura porta
Opening/Closing of door
Ouverture/Fermeture de porte
Apertura/Cierre de puerta
Öffnung/Schliessen der Tür

7

Punto di contatto indicato in adempimento ai fini delle direttive e regolamenti UE applicabili:
 Contact details according to the relevant European Directives and Regulations:

GEWISS S.p.A. Via A.Volta, 1 IT-24069 Cenate Sotto (BG) Italy tel: +39 035 946 111 E-mail: qualitymarks@gewiss.com



+39 035 946 111

8.30 - 12.30 / 14.00 - 18.00
 lunedì ÷ venerdì - monday ÷ friday



+39 035 946 260



sat@gewiss.com
 www.gewiss.com