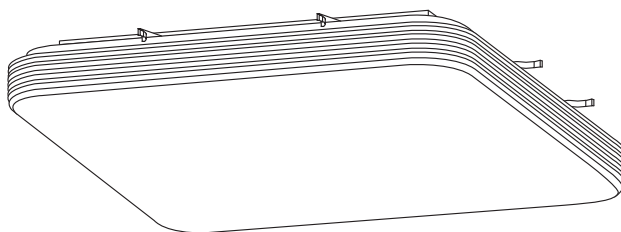
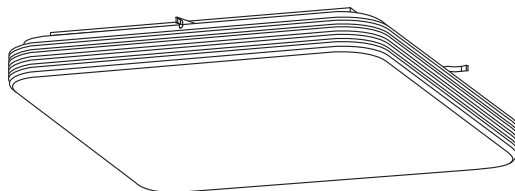
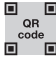





ORBIS® SQUARE

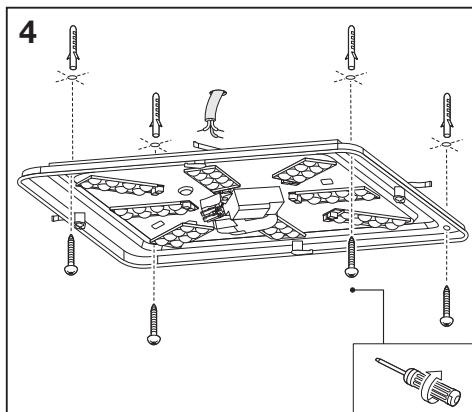
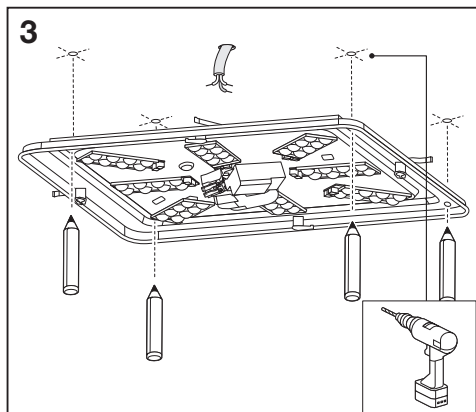
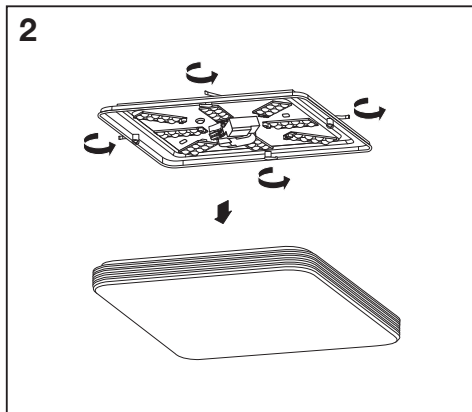
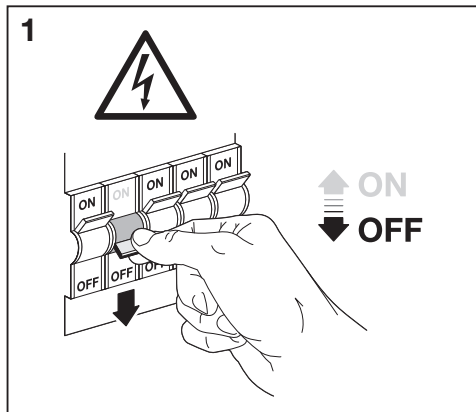
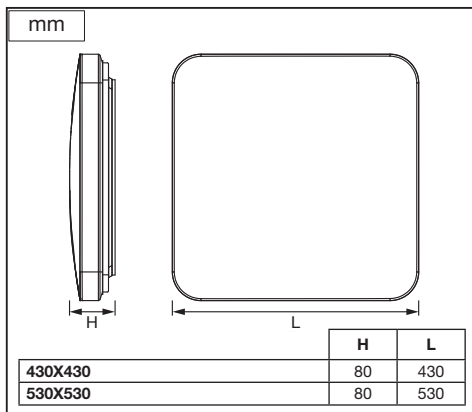
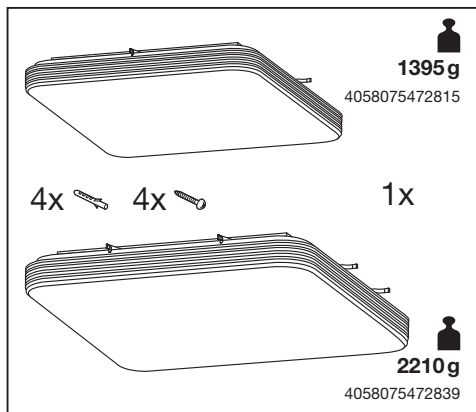
LEDVANCE

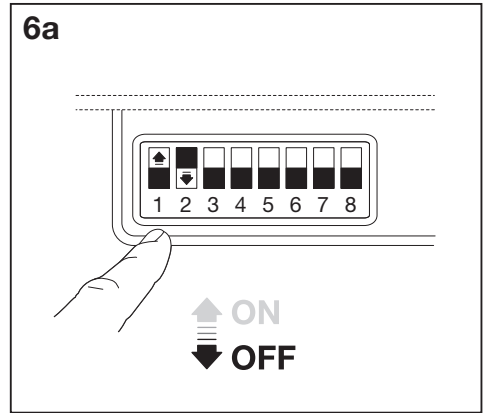
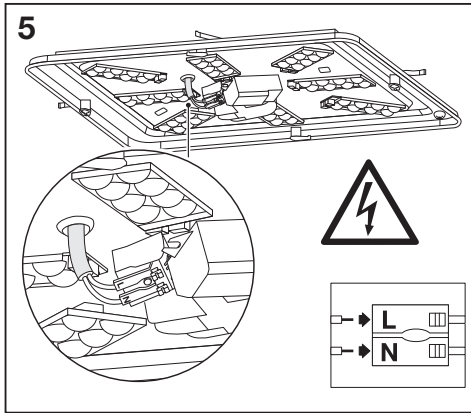


	EAN	n	LED	 QR code	 ENERGY * X =
ORBIS SQUARE 430 SQ50W CLICKSEN	4058075472815	1	AC34645		E
ORBIS SQUARE 530 SQ60W CLICKSEN	4058075472839	1	AC34646		E

	EAN	W	lm Light Source	lm Output	K	⌈ (°C)	V~	mA	Hz	DF	▽ (°)	👁️
ORBIS SQUARE 430 SQ50W CLICKSEN	4058075472815	50	6500	3700	3000	-20...+40	220-240	500	50/60	0.9	120	15000
ORBIS SQUARE 530 SQ60W CLICKSEN	4058075472839	60	8000	4450	3000	-20...+40	220-240	500	50/60	0.9	120	15000

ORBIS® SQUARE





6b Detection area

1	2	
ON	ON	100%
ON	-	75%
-	ON	50%
-	-	25%

Hold time

3	4	5	
ON	ON	ON	5s
ON	ON	-	30s
ON	-	ON	1min
ON	-	-	3min
-	ON	ON	5min
-	ON	-	10min
-	-	ON	20min
-	-	-	30min

Daylight sensor

6	7	8	
ON	ON	ON	2lux
ON	ON	-	10lux
-	ON	-	25lux
ON	-	-	50lux
-	-	-	Disable

2 MODE: SENSOR MODE / CONVENTIONAL LIGHT MODE

SENSOR MODE →

CONVENTIONAL LIGHT MODE /

↔

3X OFF/ON

AUTO CHECKING

Conventional light mode

↓

Sensor mode

10 seconds

↓

OK

