

UEK 8.10 AQ4 50 HKSBM10 V2A (540 262)

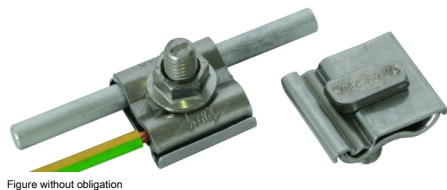
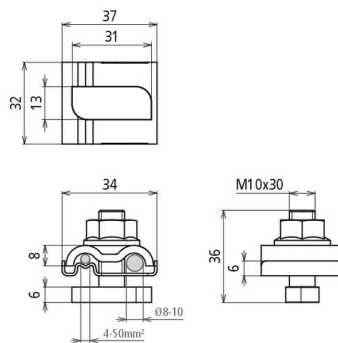


Figure without obligation



UNI earth clamp for incorporating parts of an installation in the functional equipotential bonding, lightning equipotential bonding or in the functional earthing. StSt type, with M10 (38/17) hammer-head bolt and self-locking nut with serrated bearing

The StSt contact plate (intermediate element) allows different conductor materials (Cu, Al, St/tZn and StSt) to be connected to the normal mounting systems, e.g. to aluminium, without the risk of contact corrosion.

The double clamp design allows easy and quick interconnection of the profiles, e.g. by feed-through wiring.

Type	UEK 8.10 AQ4 50 HKSBM10 V2A
Part No.	540 262
Material of clamp	StSt
Clamping range Rd	8-10 mm
Connection (solid / stranded)	4-50 mm ²
Screw	Hammer-head bolt (31 x 13 mm), M10 x 30 mm
Self-locking nut	width across flats 15 mm
Material of screw / nut	StSt
Lightning current carrying capability (10/350 µs)	/ *)
Standard	EN 62561-1
Weight	78 g
Customs tariff number	85389099
GTIN	4013364449237
PU	50 Stk

*) For exact assignment, see test certificate.

We reserve the right to introduce changes in performance, configuration and technology, dimensions, weights and materials in the course of technical progress. The figures are shown without obligation.