


55510400	DATA SHEET	
Valid from: 03.07.2018	SILVYN® LTP 90° M	

SILVYN® LTP 90° M is an elbow Brass-Conduit gland with polyamide sealing for fixed applications. The gland can be used due to his properties in mechanical demanding environments.

Material: Gland – Brass, Nickel plated
Seal – PA

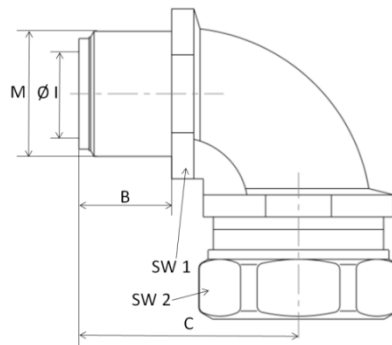
Features: High tensile strength
Oil resistant
Corrosion resistant
Halogen, Sulphur and Phosphorous free
Vibration and shock resistant



Temperature range: -50°C up to +135°C

Norm Reference:  
DIN EN 61386

Protection class: IP66, IP67, IP68 (5bar) and IP69K



Dimension table:

Part No.	Description	NW	Thread M	Inner Diameter Ø I mm	Thread length B mm	Length C mm	SW 1	SW 2
5551 0400	SILVYN® LTP 90° M16x1,5/1	12	M16x1,5	8,6	10,0	27,5	20	22
5551 0410	SILVYN® LTP 90° M16x1,5/2	16	M16x1,5	10,7	10,0	27,5	20	26
5551 0420	SILVYN® LTP 90° M20x1,5/1	16	M20x1,5	10,7	13,0	33,0	24	26
5551 0430	SILVYN® LTP 90° M20x1,5/2	20	M20x1,5	14,5	13,0	33,0	24	29
5551 0440	SILVYN® LTP 90° M25x1,5	25	M25x1,5	18,0	14,0	39,3	30	35
5551 0450	SILVYN® LTP 90° M32x1,5	32	M32x1,5	24,6	15,0	46,0	36	42
5551 0460	SILVYN® LTP 90° M40x1,5	40	M40x1,5	32,7	18,0	56,9	46	52
5551 0470	SILVYN® LTP 90° M50x1,5	50	M50x1,5	37,7	18,0	66,5	57	58
5551 0480	SILVYN® LTP 90° M63x1,5	63	M63x1,5	49,0	20,0	81,8	72	70

Suitable Conduit: SILVYN® LTP

Accessories: SKINDICHT® FLACHDICHTUNG

For more information please see our current catalogue. Please do not hesitate to contact our laboratory if there are any questions regarding resistance against aggressive agents and special oil.

Creator: M. Wegerer /PDP Released: DAMU1/PDP	Document: DB55510400EN Version: 03	Page 1 of 1
---	---------------------------------------	-------------