

THORGEON

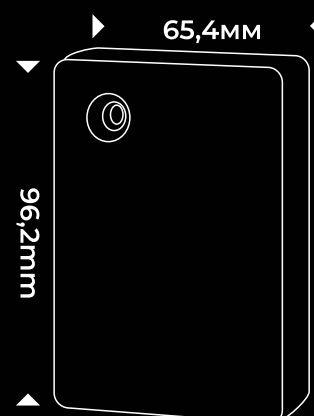
SENSORS

TWILIGHT SENSOR

02031



Manufactured in PRC



A
15



LUX



INDOOR
OUTDOOR



IP44



220-240V

Hz
50-60



1.8-2.5m



-20°C



+40°C

CE EAC UK CA  

THORGEON



www.thorgeon.com

SIA "ATTA-1", Daugavgrivas street 77,
Riga, Latvia, LV-1007



4751029899682

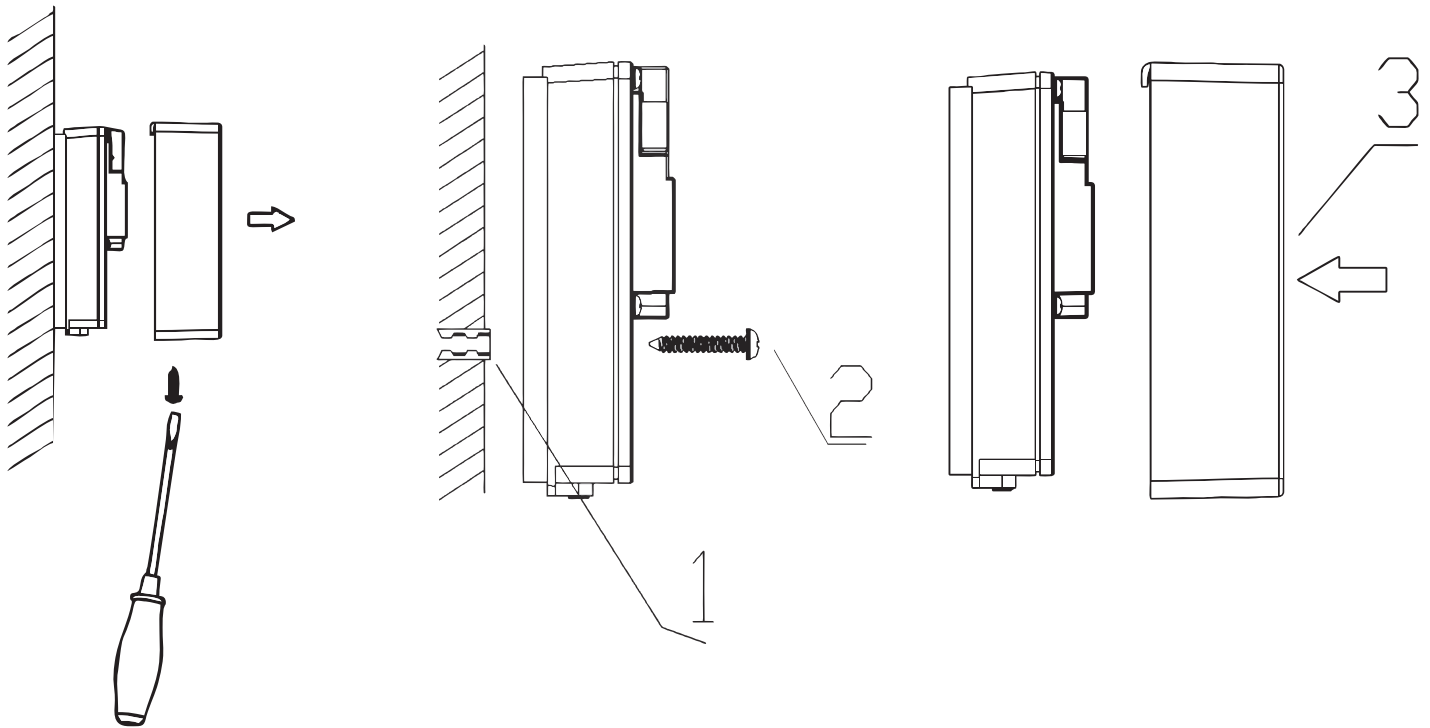
Developed in Latvia

Welcome to use 02031 THORGEON TWILIGHT Sensor!

The product can turn on or turn off light automatically according to ambient light. Ambient temperature and humidity can't affect it. It is not only convenient but also practical; it can control the load working only at night. It is used for road lights, garden lights etc.

SPECIFICATION:

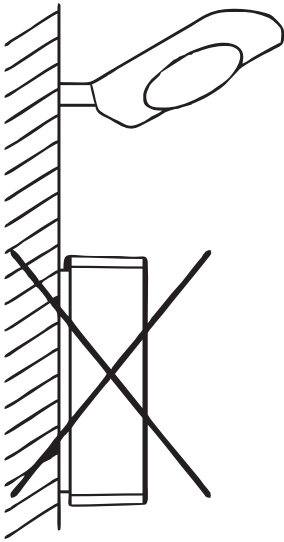
Power source:	220-240V/AC
Rated current:	15A
Working temperature:	-20~+40°C
Power frequency:	50/60Hz
Ambient light:	<2-100LUX (adjustable)
Working humidity:	<93%RH



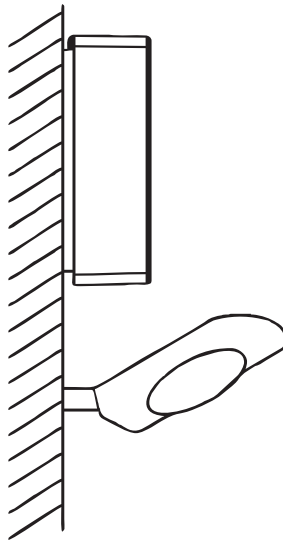
INSTALLATION:

- Switch off the power.
- Loose one screw on the bottom and unload the cover.
- Connect the wire with the product as per the connection-wire diagram.
- According to the correct installation place, install the product with the enclosed inflated screws.
- Install back the cover. Switch on the power, and then test it.

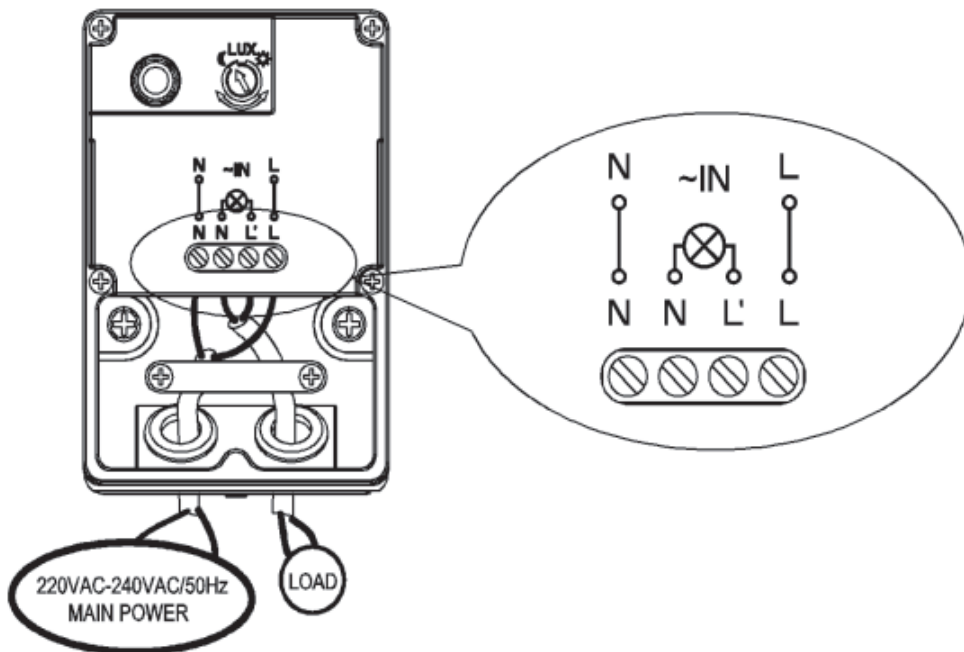
INCORRECT



CORRECT



CONNECTION-WIRE DIAGRAM:



TEST:

- Slide the LUX knob to position 'moon' and switch on the power.
- When you test in daytime. You should cover it with a black opaque cloth on the product.
- When the cloth mantles the detection window of the photocell, the ambient light of the photocell is less than 2 LUX, the lamp will be on.
- When you take off this cloth, the lamp will be off automatically.
- When you slide the LUX knob to position 'sun', the lamp could be on in the ambient light less than 100LUX.

NOTE:

In front of the photocell, it should be no obstruction affecting to accept natural light;

In front of the photocell, it should be no swaying object.

Don't install the photocell under the light or in the place where the light will be irradiated to the photocell.