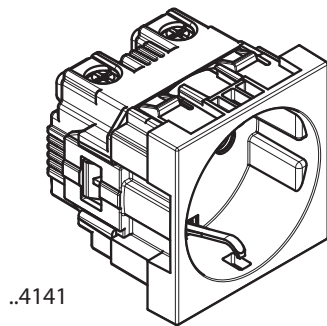
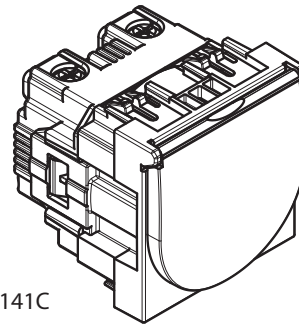


Classia
Socket outlet - German standard

**RW4141 - RA4141 - RG4141 - R4141R - R4141A - R4141V
 RW4141C - RG4141C**



..4141



..4141C

Use

Socket outlets for: German standard plugs.

Range

Designation

Item

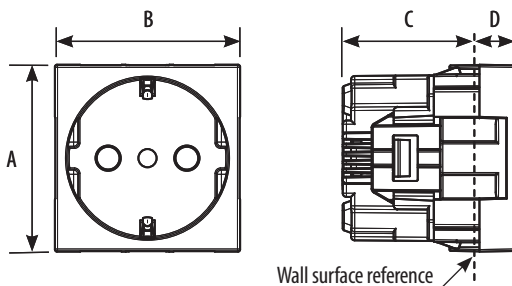
Socket 2P+E 16A 250 Va.c. - socket with earth side contacts - shielded tulip contacts	<input type="checkbox"/> RW4141
	<input type="checkbox"/> RA4141
	<input type="checkbox"/> RG4141
	<input type="checkbox"/> R4141R
	<input type="checkbox"/> R4141A
	<input type="checkbox"/> R4141V

Socket 2P+E 16A 250 Va.c. - socket with earth side contacts - shielded tulip contacts with IP20 Flap	<input type="checkbox"/> RW4141C
	<input type="checkbox"/> RG4141C

Color code:

<input type="checkbox"/> White colour	<input type="checkbox"/> Aluminum colour	<input type="checkbox"/> Black colour
<input type="checkbox"/> Orange colour	<input type="checkbox"/> Green colour	<input type="checkbox"/> Red colour

Overall dimensions (mm)



	A	B	C	D
..4141	45.1	44.7	31.7	9.8
..4141C	45.1	44.7	31.7	13.3

Connection

Terminal type: screw clamp
 Terminal capacity: 2 x 4 mm² max
 Stripping length: 11 mm
 Compatible with flexible or rigid cables

Technical characteristics

- **Protection index**
 (considering a complete installation, including cover plate)
 Penetration by solid bodies/liquid: IP20D
- **Mechanical characteristics**
 Impact test: IK 04
- **Material characteristics**
 Case and Key cover: PC (Polycarbonate)
 Halogen free.
 UV resistant.
 Self-extinguishing:
 850° C / 30 s for insulating parts holding live parts in place
 650° C / 30 s for other parts made of insulating materials
- **Electrical characteristics**
 Voltage: 250 VAC
 Current: 16 A
- **Climatic characteristics**
 Storage temperature: - 10° C to + 70° C
 Use temperature: - 5° C to + 35° C

Cleaning

Clean the surface with a cloth.
 Do not use acetone, tar-removing cleaning agents or trichloroethylene.
Caution: Always test before using special cleaning products.

Standards and approvals

Compliance with standards IEC 60884-1.
 Refer to e.catalogue.