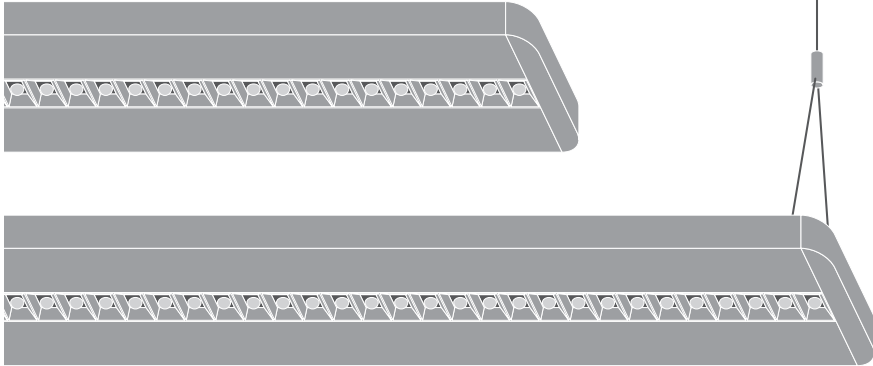


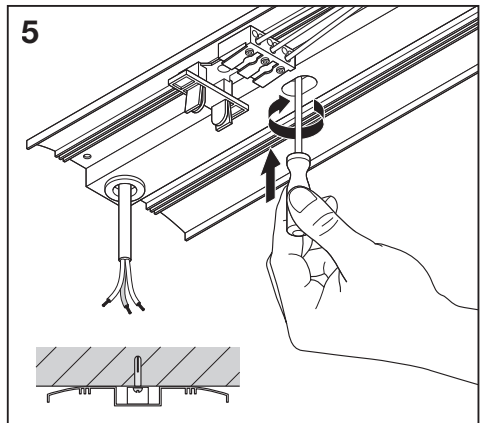
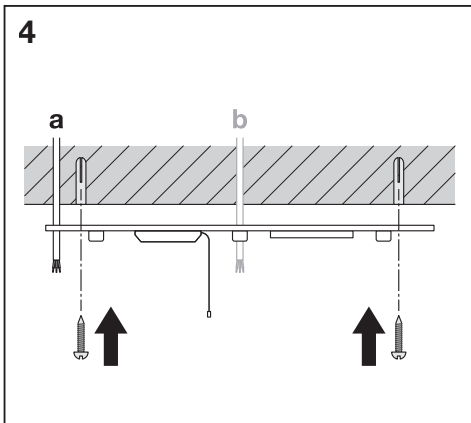
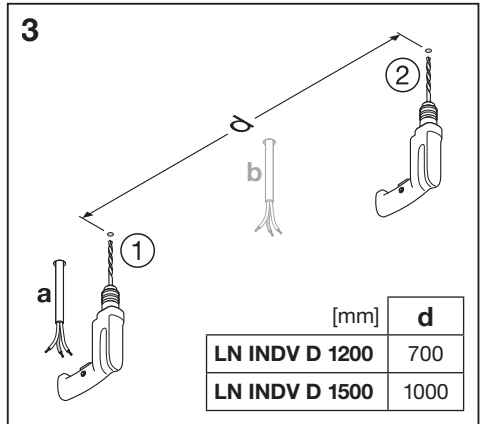
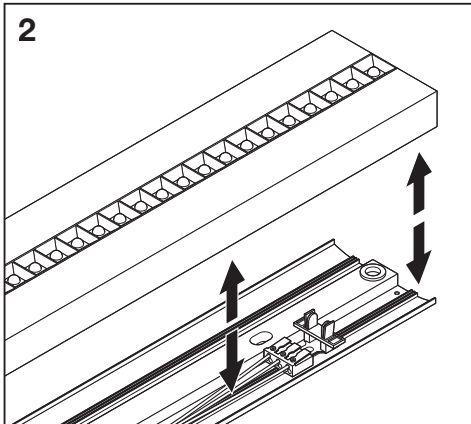
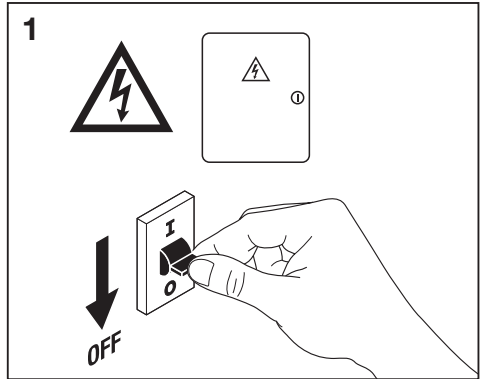
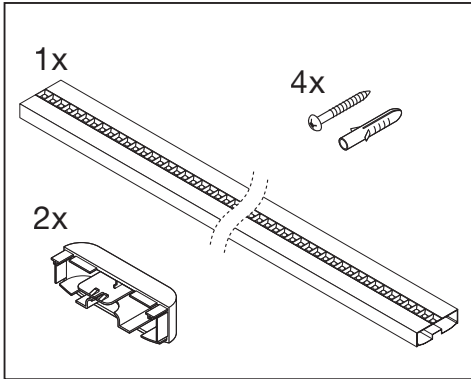
LINEAR IndiviLED®

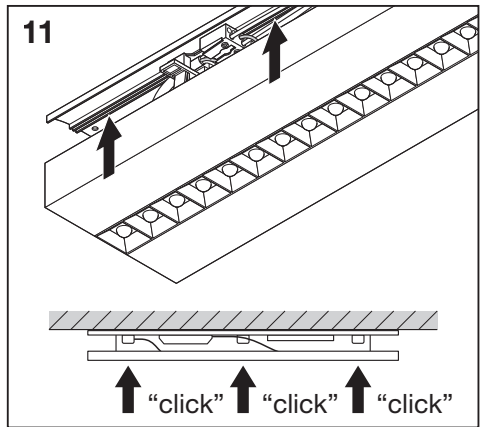
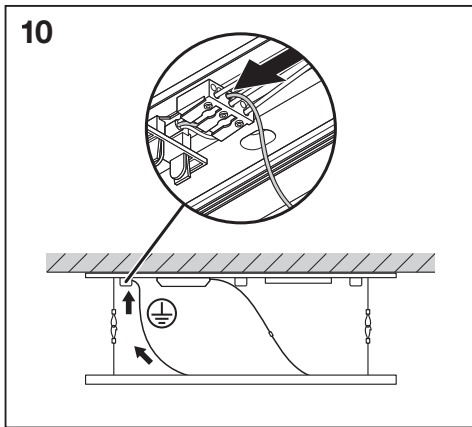
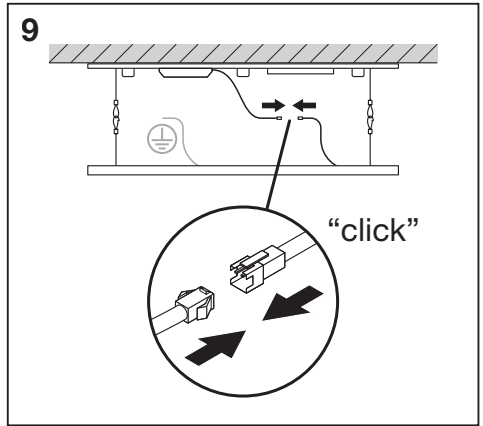
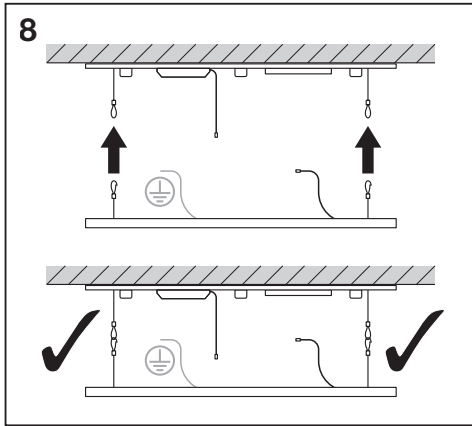
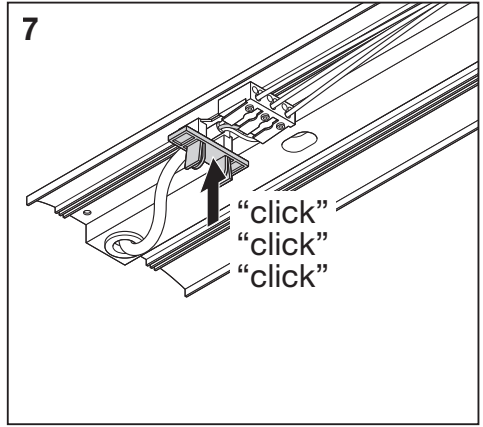
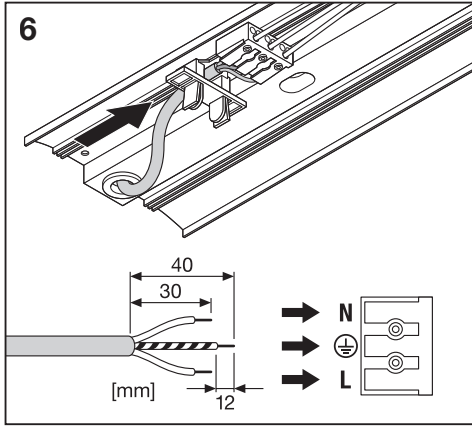


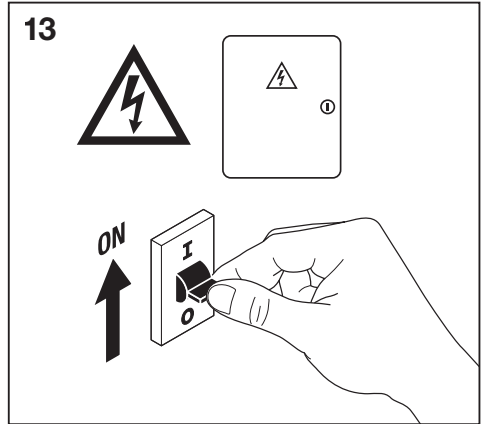
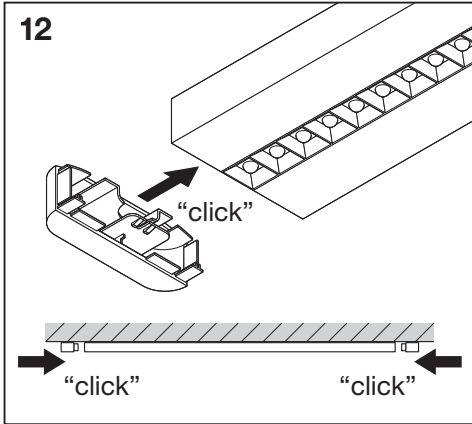
	EAN	l x w x h [mm]	W	lm	lm/W
LN INDV D 1200 34W/3000K	4058075109605	1199x120x40	34	3800	110
LN INDV D 1200 34W/4000K	4058075109629	1199x120x40	34	4200	120
LN INDV D 1200 34W/940	4058075522435	1199x120x40	34	3550	105
LN INDV D 1500 25W/3000K	4058075109643	1488x120x40	25	3100	125
LN INDV D 1500 25W/4000K	4058075109667	1488x120x40	25	3300	125
LN INDV D 1500 25W/940	4058075522459	1488x120x40	25	2800	110
LN INDV D 1500 48W/3000K	4058075109681	1488x120x40	48	5300	110
LN INDV D 1500 48W/4000K	4058075109704	1488x120x40	48	5700	120
LN INDV D 1500 48W/940	4058075522473	1488x120x40	48	4800	100
LN INDV D/I 1200 42W/3000K	4058075109728	1199x120x40	42 (= 34+8) LED Δ 2x28T5 + 1x14T5	4650 (= 3800+850)	110
LN INDV D/I 1200 42W/4000K	4058075109742	1199x120x40	42 (= 34+8) LED Δ 2x28T5 + 1x14T5	5050 (= 4200+850)	120
LN INDV D/I 1500 56W/3000K	4058075109766	1488x120x40	56 (= 48+8) LED Δ 2x49T5 + 1x14T5	6150 (= 5300+850)	110
LN INDV D/I 1500 56W/4000K	4058075110441	1488x120x40	56 (= 48+8) LED Δ 2x49T5 + 1x14T5	6550 (= 5700+850)	115

	EAN	K	IP	IK	⌈(°C)	V _{AC}	Hz	◊	PF	R _a	👤
LN INDV D 1200 34W/3000K	4058075109605	3000	20	06	-20...+45	220-240V	50/60Hz	70°	> 0.9	> 80	2.4kg
LN INDV D 1200 34W/4000K	4058075109629	4000	20	06	-20...+45	220-240V	50/60Hz	70°	> 0.9	> 80	2.4kg
LN INDV D 1200 34W/940	4058075522435	4000	20	06	-20...+45	220-240V	50/60Hz	70°	> 0.9	> 90	2.4kg
LN INDV D 1500 25W/3000K	4058075109643	3000	20	06	-20...+45	220-240V	50/60Hz	70°	> 0.9	> 80	2.9kg
LN INDV D 1500 25W/4000K	4058075109667	4000	20	06	-20...+45	220-240V	50/60Hz	70°	> 0.9	> 80	2.9kg
LN INDV D 1500 25W/940	4058075522459	4000	20	06	-20...+45	220-240V	50/60Hz	70°	> 0.9	> 90	2.9kg
LN INDV D 1500 48W/3000K	4058075109681	3000	20	06	-20...+45	220-240V	50/60Hz	70°	> 0.9	> 80	3.1kg
LN INDV D 1500 48W/4000K	4058075109704	4000	20	06	-20...+45	220-240V	50/60Hz	70°	> 0.9	> 80	3.1kg
LN INDV D 1500 48W/940	4058075522473	4000	20	06	-20...+45	220-240V	50/60Hz	70°	> 0.9	> 90	3.1kg
LN INDV D/I 1200 42W/3000K	4058075109728	3000	20	06	-20...+45	220-240V	50/60Hz	70°+120°	> 0.9	> 80	2.6kg
LN INDV D/I 1200 42W/4000K	4058075109742	4000	20	06	-20...+45	220-240V	50/60Hz	70°+120°	> 0.9	> 80	2.6kg
LN INDV D/I 1500 56W/3000K	4058075109766	3000	20	06	-20...+45	220-240V	50/60Hz	70°+120°	> 0.9	> 80	3.2kg
LN INDV D/I 1500 56W/4000K	4058075110441	4000	20	06	-20...+45	220-240V	50/60Hz	70°+120°	> 0.9	> 80	3.2kg

LINEAR IndiviLED® DIRECT



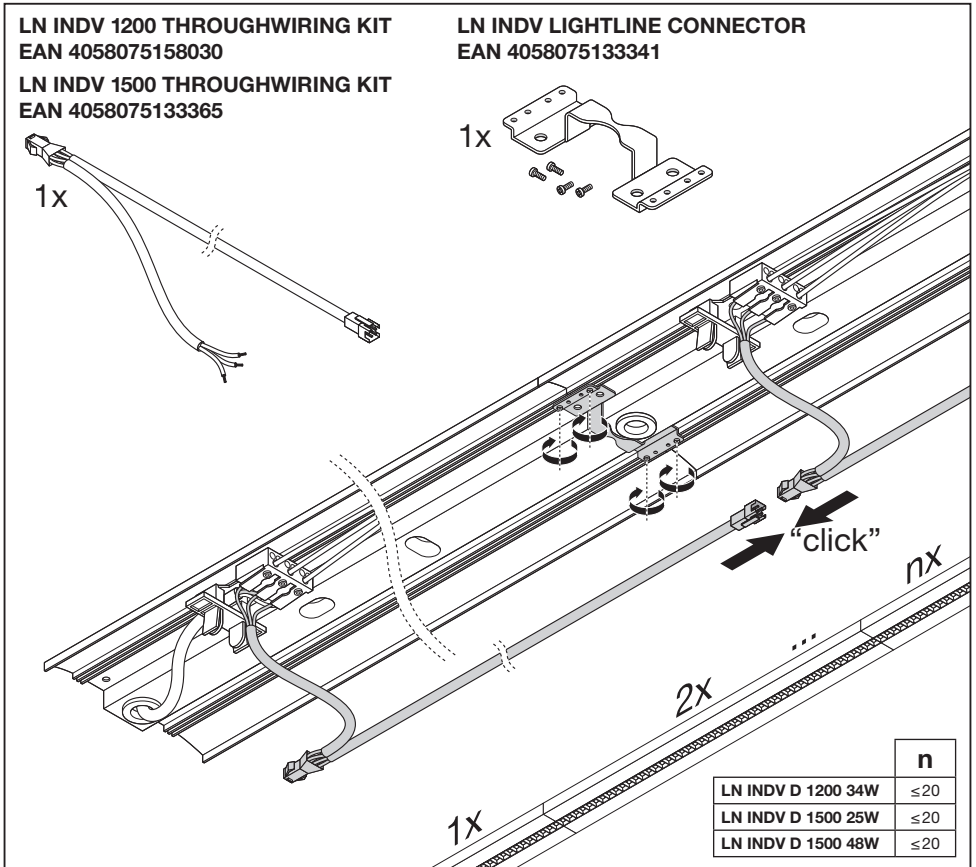
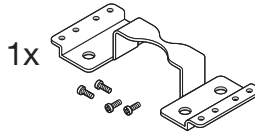
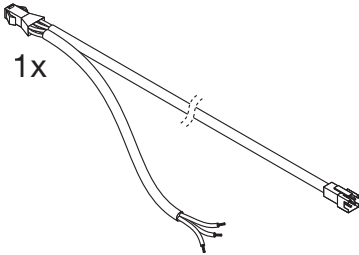




LN INDV 1200 THROUGHWIRING KIT
EAN 4058075158030

LN INDV 1500 THROUGHWIRING KIT
EAN 4058075133365

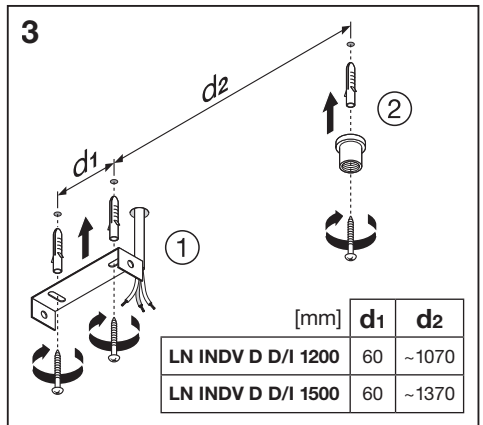
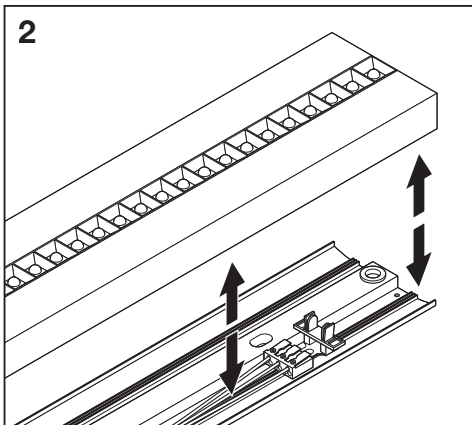
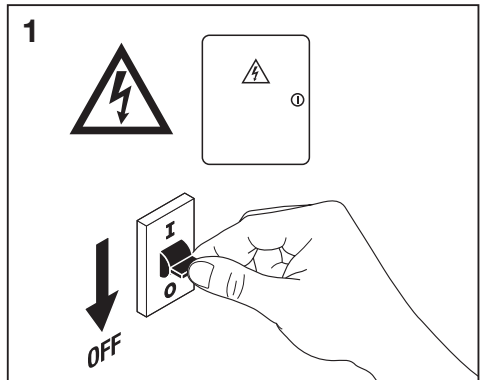
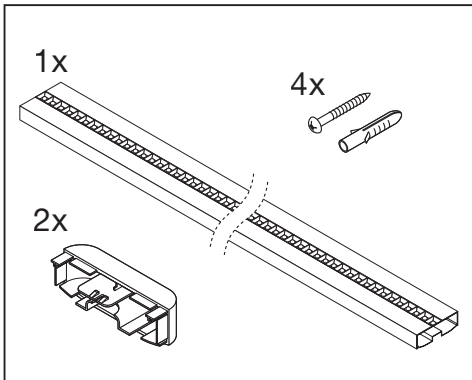
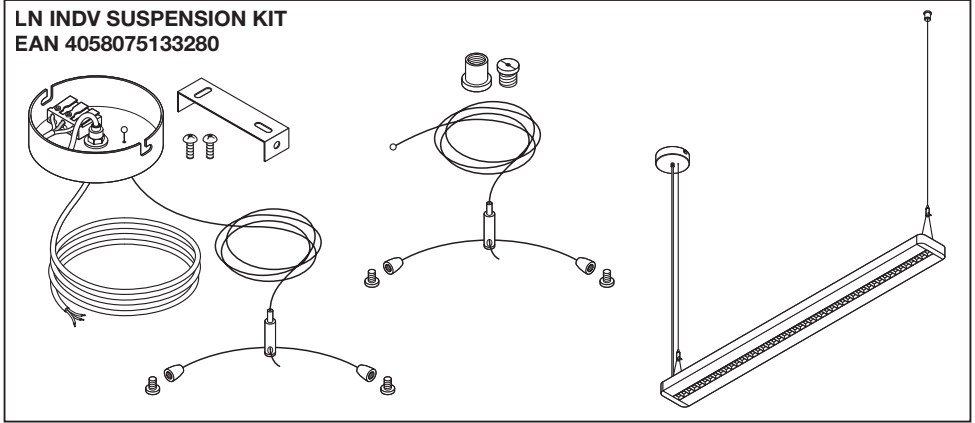
LN INDV LIGHTLINE CONNECTOR
EAN 4058075133341

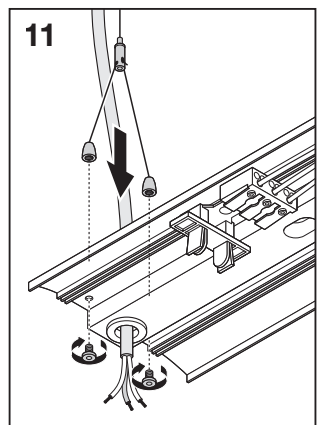
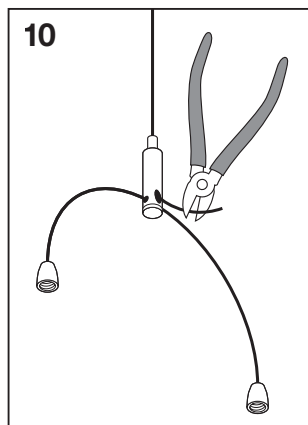
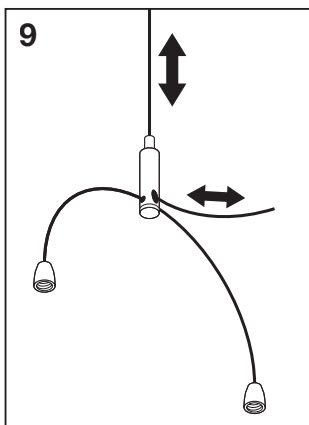
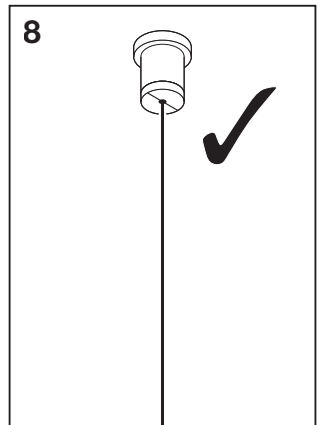
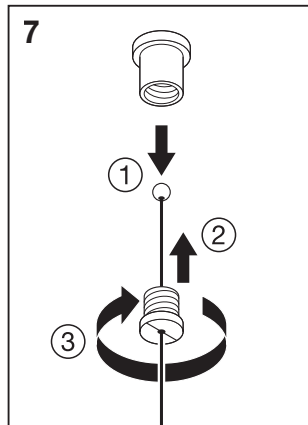
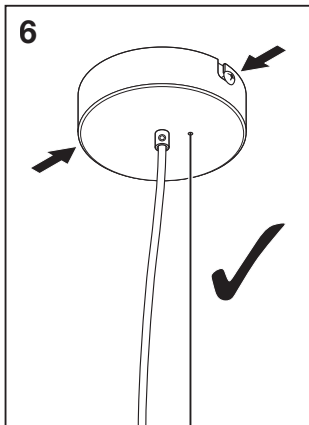
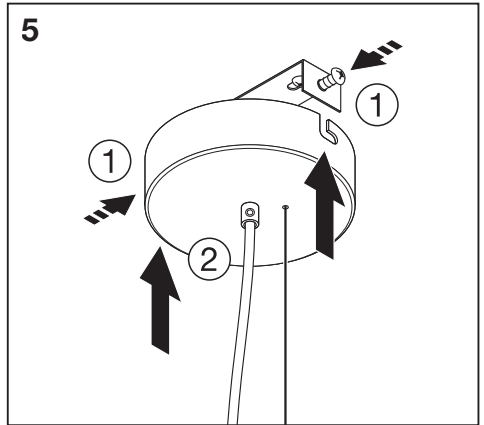
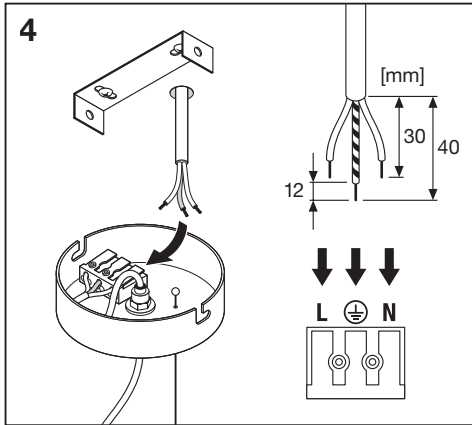


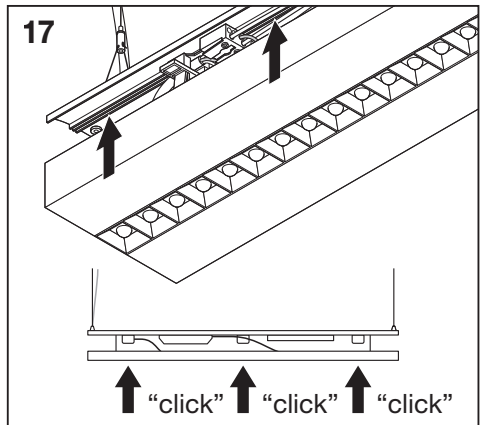
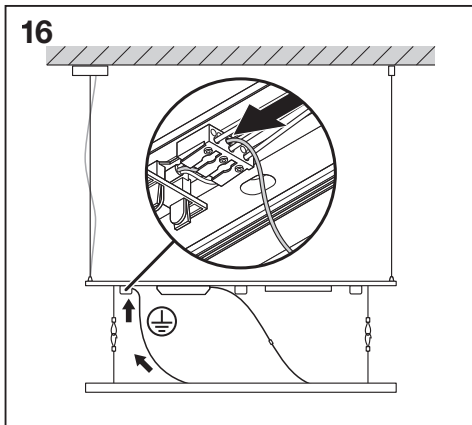
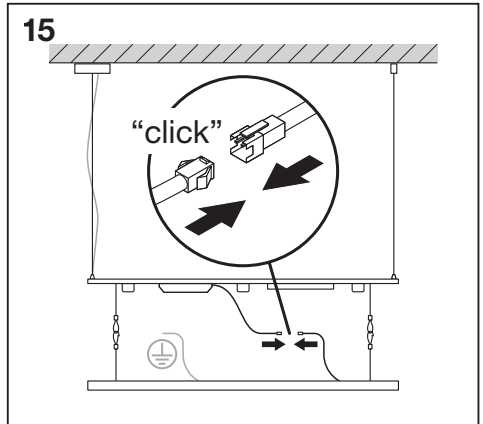
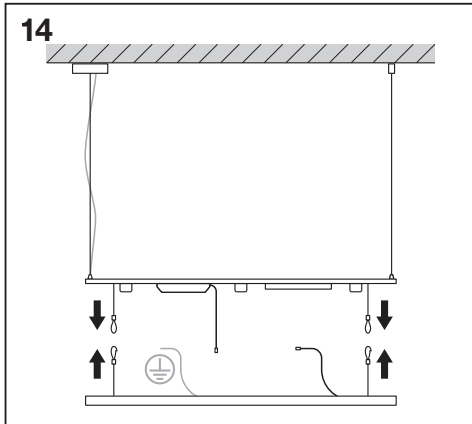
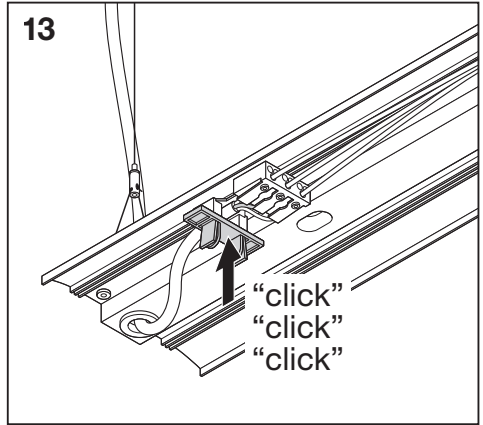
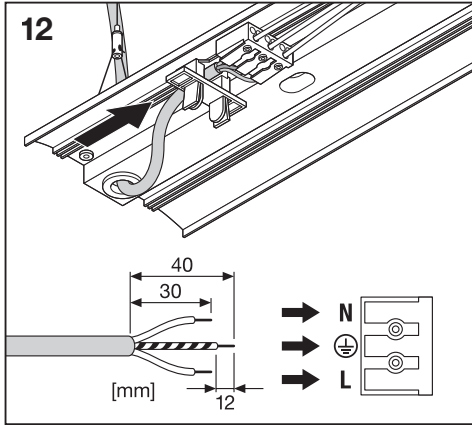
	n
LN INDV D 1200 34W	≤20
LN INDV D 1500 25W	≤20
LN INDV D 1500 48W	≤20

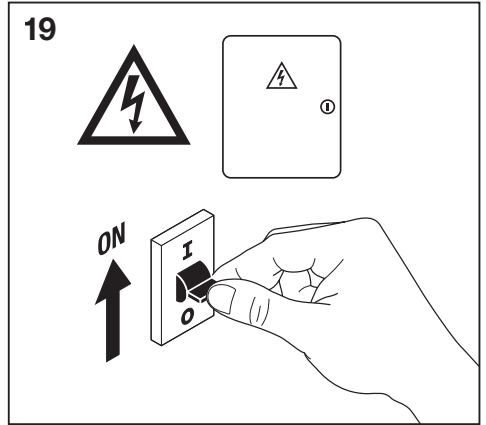
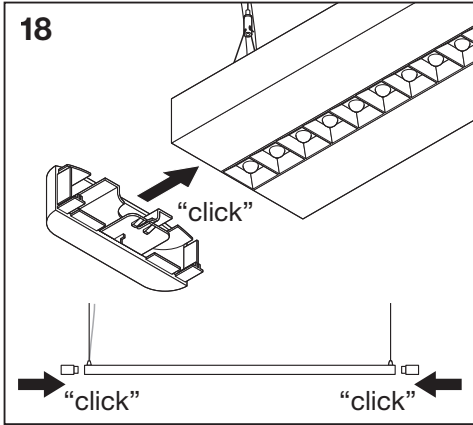
LINEAR IndiviLED® DIRECT | DIRECT / INDIRECT

LN INDV SUSPENSION KIT
EAN 4058075133280



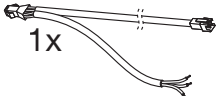




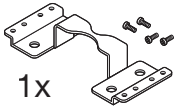


**LN INDV 1200
THROUGHWIRING KIT**
EAN 4058075158030

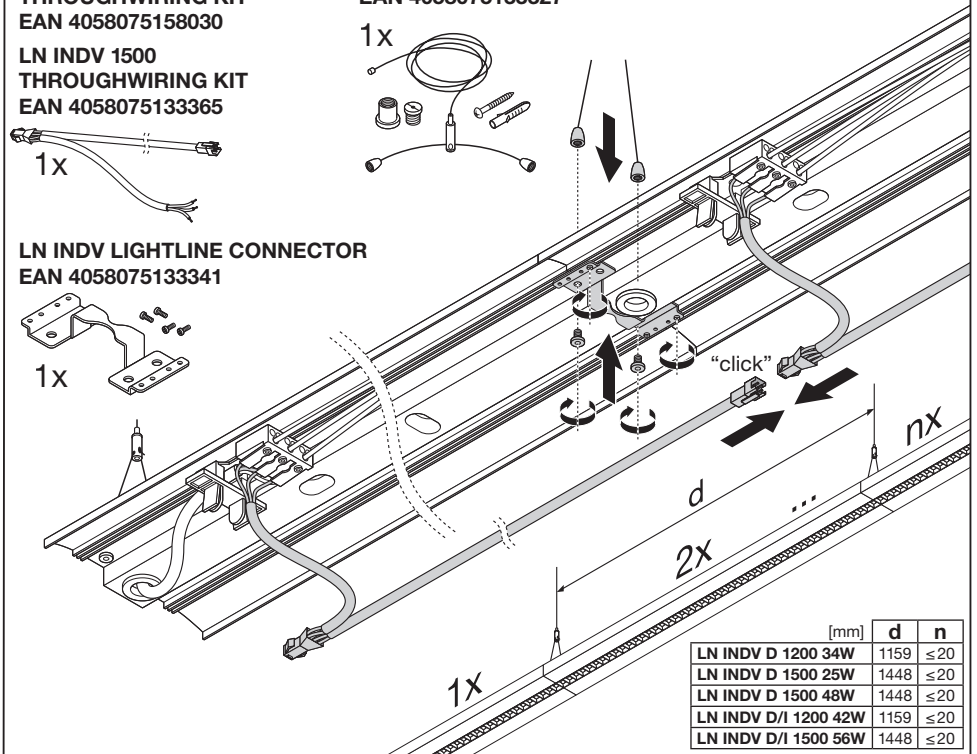
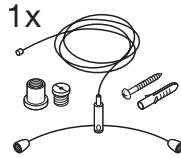
**LN INDV 1500
THROUGHWIRING KIT**
EAN 4058075133365



LN INDV LIGHTLINE CONNECTOR
EAN 4058075133341



LN INDV SUSPENSION WIRE
EAN 4058075133327



	[mm]	d	n
LN INDV D 1200 34W	1159	≤20	
LN INDV D 1500 25W	1448	≤20	
LN INDV D 1500 48W	1448	≤20	
LN INDV D/I 1200 42W	1159	≤20	
LN INDV D/I 1500 56W	1448	≤20	



LEDVANCE GmbH
Steinerne Furt 62
86167 Augsburg, Germany
www.ledvance.com

C10449058
G11126088
26.07.21