


| | | |
|---------------------------|------------------------|---|
| 19135000 | DATA SHEET |  |
| Valid from: 29.08.2022 | EPIC® H-B 32 TS | |

Description

- The large, robust housing for two inserts of size 16



General Characteristics

| | |
|---------------------------|--|
| Series | H-B 32 |
| Version | Hood |
| Locking | Bolts for double lever |
| Cable entry | 1x lateral, see table |
| Gland body | See table |
| Protection (DIN EN 60529) | IP 65 (latched) |
| Temperature Range | -40°C to +100°C, short term up to +125°C |

Materials / Surfaces

| | |
|------------|--------------------------------------|
| Housing | Aluminium alloy, powder-coated, grey |
| Locking | Steel, zinc-plated |
| Gland body | Brass, nickel-plated |


Standard

| | |
|-----------------|-----------|
| Safety Standard | IEC 61984 |
|-----------------|-----------|

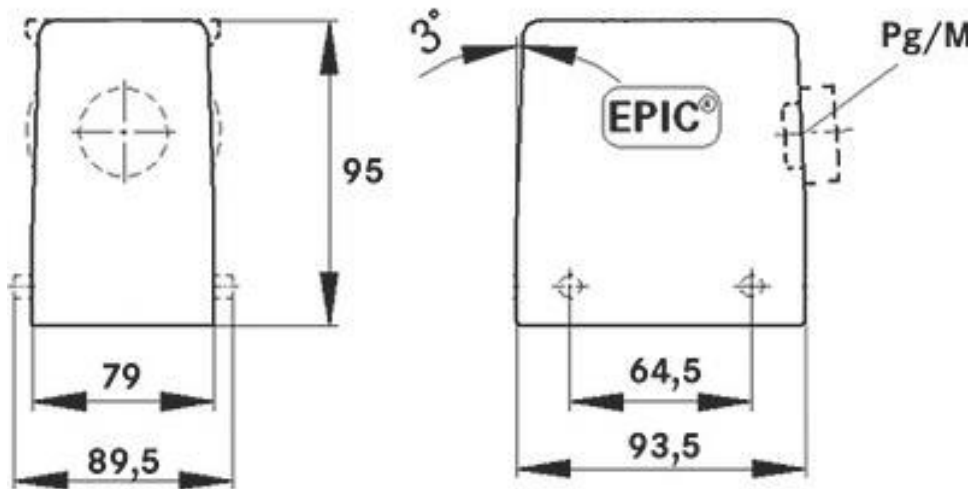
Versions

| Article number | Article description | Cable entry | Gland body |
|----------------|-----------------------|-------------|------------|
| 10135000 | EPIC® H-B 32 TS 21 ZW | Pg 21 | Yes |
| 10135600 | EPIC® H-B 32 TS 29 | Pg 29 | No |
| 10136000 | EPIC® H-B 32 TS 29 ZW | Pg 29 | Yes |
| 19135000 | EPIC® H-B 32 TS M25 | M25 | No |
| 19136000 | EPIC® H-B 32 TS M32 | M32 | No |
| 19136200 | EPIC® H-B 32 TS M40 | M40 | No |

| | | |
|---|---------------------------------------|-------------|
| Creator: BEGE1/PDP Released: IVSE1/PDP | Document: DB19135000EN Version: 00 | Page 1 of 2 |
|---|---------------------------------------|-------------|

| | | |
|---------------------------|-------------------|---|
| 19135000 | DATA SHEET |  |
| Valid from: 29.08.2022 | EPIC® H-B 32 TS | |

Technical Drawings



Industrial machinery and plant engineering



Mechanical resistance



Robust



Waterproof

Application range

Plant engineering, Control engineering, Plastics industry

Remark

Photographs are not to scale and do not represent detailed images of the respective products.

| | | |
|---|---------------------------------------|-------------|
| Creator: BEGE1/PDP Released: IVSE1/PDP | Document: DB19135000EN Version: 00 | Page 2 of 2 |
|---|---------------------------------------|-------------|