

Mini installation beacon / Flashing Light 802  
**Flashing Beacon EM 115VAC RD**



Part No.: **802.100.67**



| MECHANICAL DATA              |                                |
|------------------------------|--------------------------------|
| Height                       | 85 mm                          |
| Diameter                     | 57 mm                          |
| Materials                    | PC<br>PC/ABS                   |
| Dome colour                  | Red                            |
| Housing colour               | Black                          |
| Protection category          | IP65                           |
| Connection                   | Screw terminals                |
| cross-sectional area maximum | 1,50mm <sup>2</sup> / 16AWG    |
| Cable entry                  | Through hole                   |
| Cable entry maximum          | d = 9 mm                       |
| Tension relief               | Present (conforms to VDE)      |
| Type of fixing               | Built-in mounting              |
| Working temperature minimum  | -20°C                          |
| Working temperature maximum  | +50°C                          |
| Weight with packaging        | 93 g                           |
| Product weight               | 73 g                           |
| ELECTRICAL DATA              |                                |
| Operating voltage            | 115V                           |
| Operating voltage type       | AC                             |
| Operating voltage frequency  | 60Hz                           |
| Operating voltage tolerance  | +/- 10%                        |
| Rated operational voltage    | 115 VAC                        |
| Rated operational current    | 20 mA                          |
| Rated inrush current         | <1A                            |
| Protection class             | Protection class 2             |
| Pollution degree             | 3<br>In the connection area: 2 |
| Overvoltage category         | II                             |
| Isolation voltage            | Ui = 250V; Uimp = 2.500V       |
| OPTICAL DATA                 |                                |
| Light source                 | Xenon                          |
| Light colour                 | Red                            |
| Optical signal image         | Flash                          |
| Flash frequency              | 0.75 Hz                        |
| Flash output                 | 1 J                            |
| Service life optical         | 4 million flashes minimum      |

**!** For additional installation and mounting information, refer to the appropriate user guide at [www.werma.com](http://www.werma.com). This printed copy is for information only and is subject to alteration.

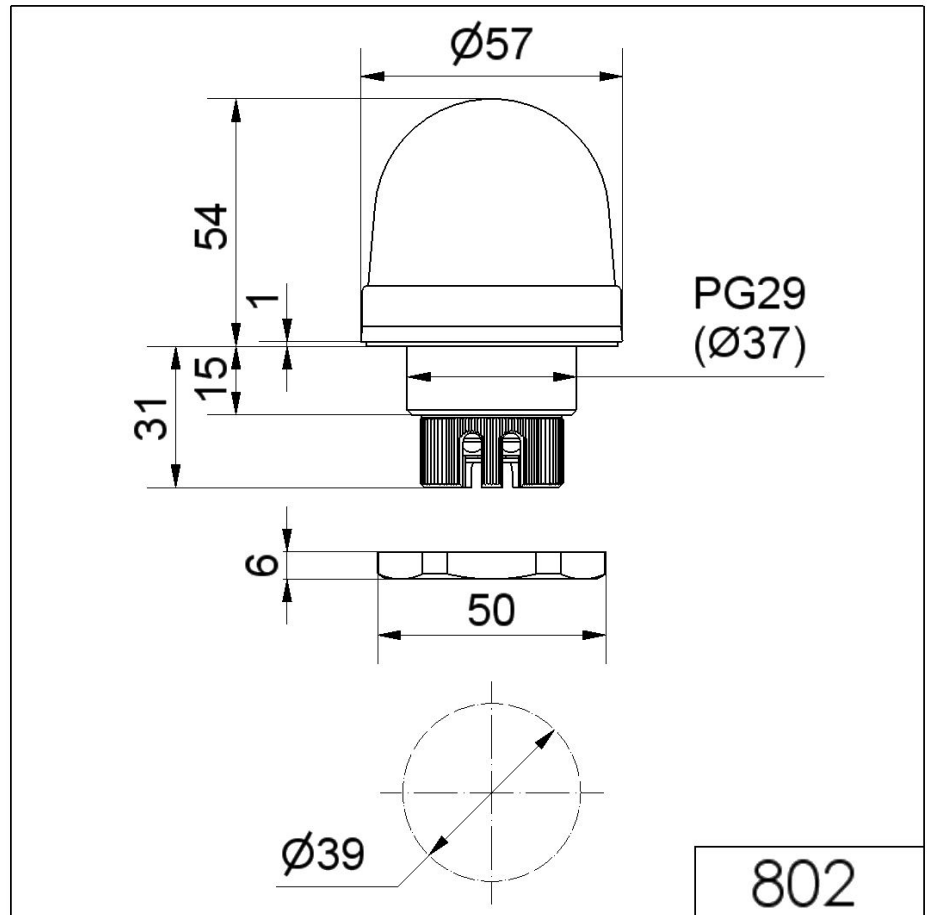
Mini installation beacon / Flashing Light 802  
**Flashing Beacon EM 115VAC RD**

| APPROVAL DATA                 |                       |
|-------------------------------|-----------------------|
| Conforms with CE              | Yes                   |
| Conforms with RoHS directive  | Yes                   |
| WEEE                          | Yes                   |
| Conforms with ATEX-directive  | No                    |
| Conforms with CCC             | No                    |
| Conforms with UL              | cULus                 |
| UL Type Rating                | Type 12               |
| Conforms with FCC             | No                    |
| Conforms with IC              | No                    |
| EAC certificate available     | Yes                   |
| Conforms with UKCA (Importer) | Yes (WERMA (UK) Ltd.) |
| Conforms with AS-I            | No                    |
| ICAO Certification            | No                    |
| Conforms with DNV             | No                    |
| Conforms with RoHS CN         | No                    |
| Conforms with VdS             | No                    |

**!** For additional installation and mounting information, refer to the appropriate user guide at [www.werma.com](http://www.werma.com). This printed copy is for information only and is subject to alteration.

Mini installation beacon / Flashing Light 802  
**Flashing Beacon EM 115VAC RD**

**DRAWING**



**!** For additional installation and mounting information, refer to the appropriate user guide at [www.werma.com](http://www.werma.com). This printed copy is for information only and is subject to alteration.