


| | | |
|---------------------------|-----------------------------|--|
| 22260024 | DATA SHEET |  |
| Valid from: 17.09.2018 | AB-B8-M12L-16-5,0PUR | |

Description

- Sensor/actuator box
- Connection methods: rapid interlock with LED master cable, markers and double-assigned slots
- slots: 8, cable length: 10 m




| | |
|---|------------------|
| Number of slots: | 8 |
| Nominal voltage U : _N | 24 V DC |
| Max. current carrying capacity per path: | 2 A |
| Total current: | ±12 A |
| Connection type: | Individual wires |
| Current carrying capacity per slot: | 4 A |
| Number of poles: | 5 |
| Degree of protection: | IP65/IP67/IP69K |
| Status display: | LEDs |
| Inflammability class acc. to UL 94: | V0 |
| Contact surface material: | Gold-plated |
| Material, O-ring: | NBR |
| Material of the moulding mass: | PUR |
| Material of threaded sleeve: | Zinc die-cast |
| Material of threaded sleeve surface: | Nickel-plated |
| Tightening torque slot sensor/actuator cable: | 0.4 Nm |
| Tightening torque screw plug: | 0.4 Nm |

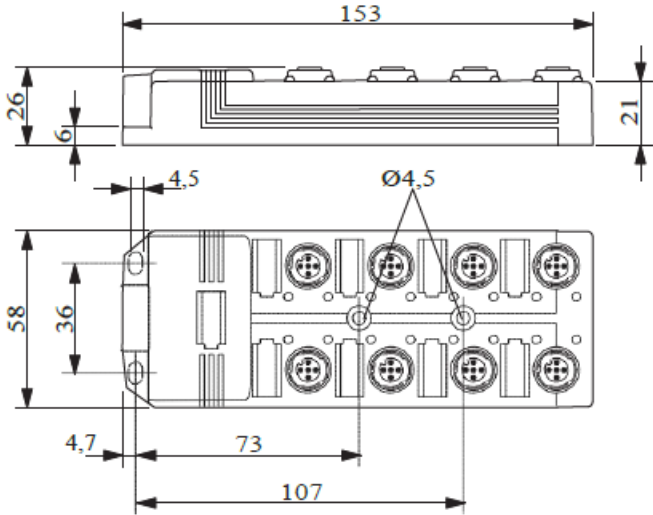
Conductor data

| | |
|---|--|
| Cable types: | Master cable suitable for flexible cable conduit |
| Outer diameter: | 10.5 mm |
| Conductor structure, voltage supply: | 56x0.15 mm |
| Conductor structure, signal line: | 28x0.15 mm |
| AWG power supply: | 17 |
| AWG signal line: | 20 |
| Power supply cross section: | 3x1 mm ² |
| Signal line cross section: | 16x0.5 mm ² |
| Max. bending cycles: | 1500000 |
| Traversing path: | 2 m |
| Traversing rate: | 2 m/s |
| Slot/position = Wire color or connection: | 1 / 4 (A) = WH |

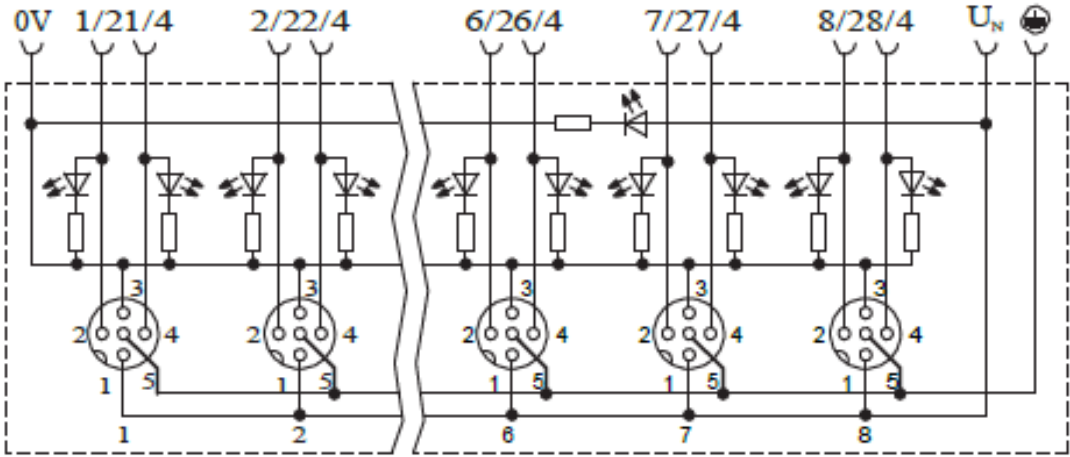
| | | |
|---|---------------------------------------|-------------|
| Creator: FELI1/PDP Released: IVSE1/PDP | Document: DB22260024EN Version: 04 | Page 1 of 3 |
|---|---------------------------------------|-------------|


| | | |
|---------------------------|----------------------|--|
| 22260024 | DATA SHEET |  |
| Valid from: 17.09.2018 | AB-B8-M12L-16-5,0PUR | |

Technical drawing

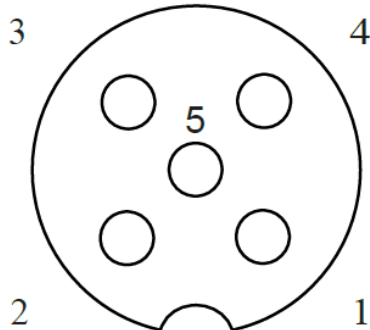


Circuit diagram



| | | |
|---------------------------|-----------------------------|--|
| 22260024 | DATA SHEET |  |
| Valid from: 17.09.2018 | AB-B8-M12L-16-5,0PUR | |

Schema drawings



Pin assignment

Slot/ position = Wire color or connection

1 / 4 (A) = WH
 1 / 2 (B) = GY/PK
 2 / 4 (A) = GN
 2 / 2 (B) = RD/BU
 3 / 4 (A) = YE
 3 / 2 (B) = WH/GN
 4 / 4 (A) = GY
 4 / 2 (B) = BN/GN
 5 / 4 (A) = PK
 5 / 2 (B) = WH/GY
 6 / 4 (A) = RD
 6 / 2 (B) = YE/BN
 7 / 4 (A) = BK
 7 / 2 (B) = WH/GY
 8 / 4 (A) = VT
 8 / 2 (B) = GY/BN
 1-8 / 1 (+ 24 V) = BN
 1-8 / 3 (0 V) = BU
 1-8 / 5 (PE) = GN/YE

Application range

Automation, industrial machinery and plant engineering

Note

Photographs are not true to scale and do not represent detailed images of the respective products.

| | | |
|---|---------------------------------------|-------------|
| Creator: FELI1/PDP Released: IVSE1/PDP | Document: DB22260024EN Version: 04 | Page 3 of 3 |
|---|---------------------------------------|-------------|