

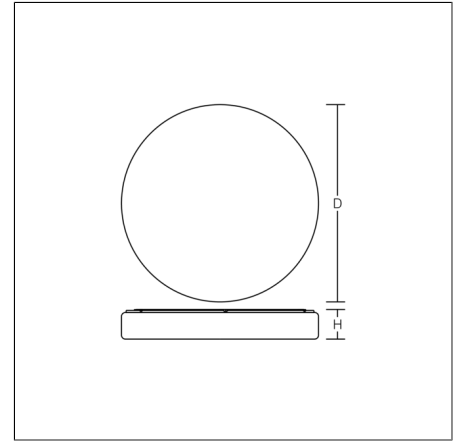
FLAT POLYMERO KREIS XXL

311695.002.3.76 | Ceiling and wall luminaires



Ceiling and wall luminaires
4051859034742
D 1040, H 150

Ceiling mounting, Wall (surface)
white



Decorative round surface-mounted luminaire. Base: metal, powder-coated. Diffuser made of plastic (polycarbonate), opal, shockproof. Diffuser fastening: sash lock.

Product specifications

Diameter D	1040 mm
Height H	150 mm
Weight	14.5 kg
Light source	LED
Colour temperature	4000 K
Rated luminous flux	11300 lm
System power	100 W
System efficiency	113 lm/W
Glare evaluation UGR (4H 8H)	19,9
Beam angle	down 122° up 180°
Rated life	50000 h (L80/B10)
Colour rendering index (CRI)	80
Colour tolerance	3
Photobiological safety according to EN 62471	Risk group 1
Driver	Converter, dimmable
Control	DALI
Voltage	220 - 240 V / 50 - 60 Hz
Luminaires on B10A fuse	4
Luminaires on B16A fuse	6
Luminaires on C10A fuse	7
Luminaires on C16A fuse	11
Inrush current / Inrush current duration	106 A / 200 µs
CIE Flux Code / CEN Flux Code	43 73 92 88 100
Type of protection	IP 40
Protection class	I
Filament test	850°C - 30 seconds
Impact resistance	IK10
Ambient temperature	25 °C
Safety marks	Ball impact proof in accordance with DIN 18032-03
Conformity mark	CE, EAC

Spareparts



08-311292.022
Replacement diffuser