

deSIGN 42 / Accessories

## Surface housing 1-fold GY



**Part No.:** 975.109.02

### MECHANICAL DATA

Length	107 mm
Width	82 mm
Height	55 mm
Materials	PC/ABS
Housing colour	Grey
Protection category	IP65
Weight with packaging	140 g
Product weight	136 g

### APPROVAL DATA

Conforms with RoHS directive	Fulfills substance restriction
WEEE	No
Conforms with ATEX-directive	No
Conforms with CCC	No
Conforms with UL	No
Conforms with FCC	No
Conforms with IC	No
EAC certificate available	No
Conforms with UKCA (Importer)	No
Conforms with CMIM	No
Conforms with AS-I	No
ICAO Certification	No
Conforms with DNV	No
Conforms with RoHS CN	No

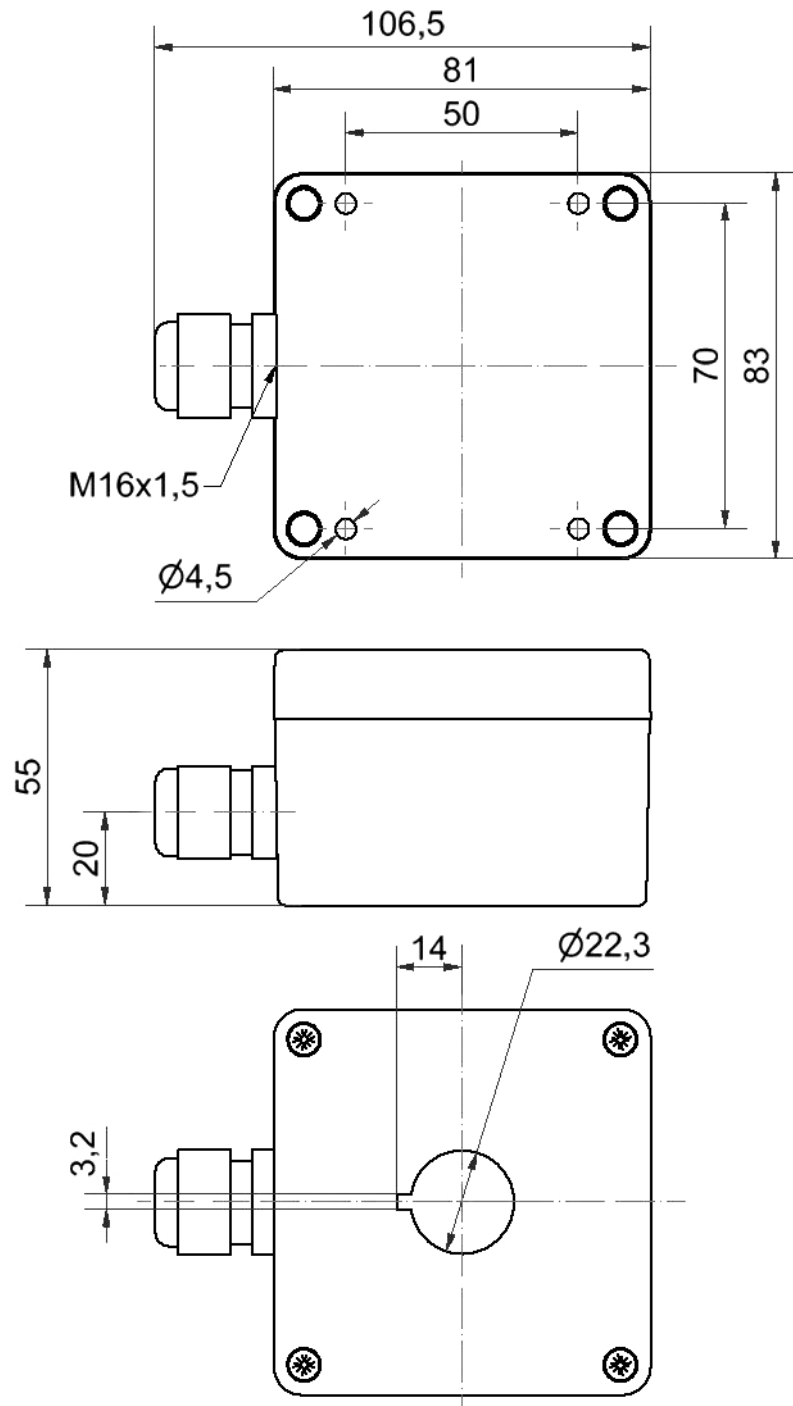


For additional installation and mounting information, refer to the appropriate user guide at [www.werma.com](http://www.werma.com). This printed copy is for information only and is subject to alteration.

deSIGN 42 / Accessories

**Surface housing 1-fold GY**

**DRAWING**



! For additional installation and mounting information, refer to the appropriate user guide at [www.werma.com](http://www.werma.com). This printed copy is for information only and is subject to alteration.