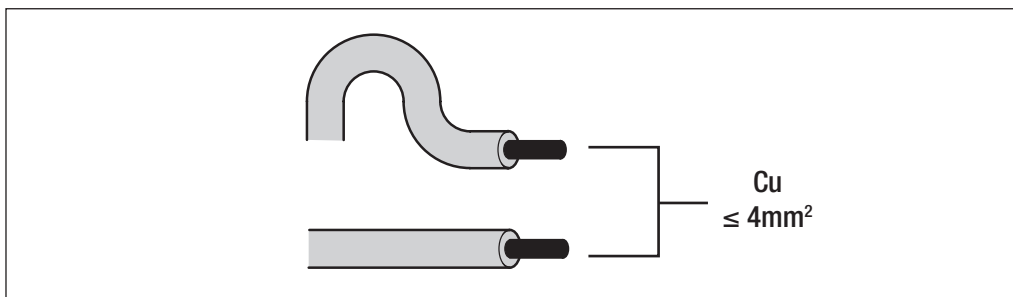
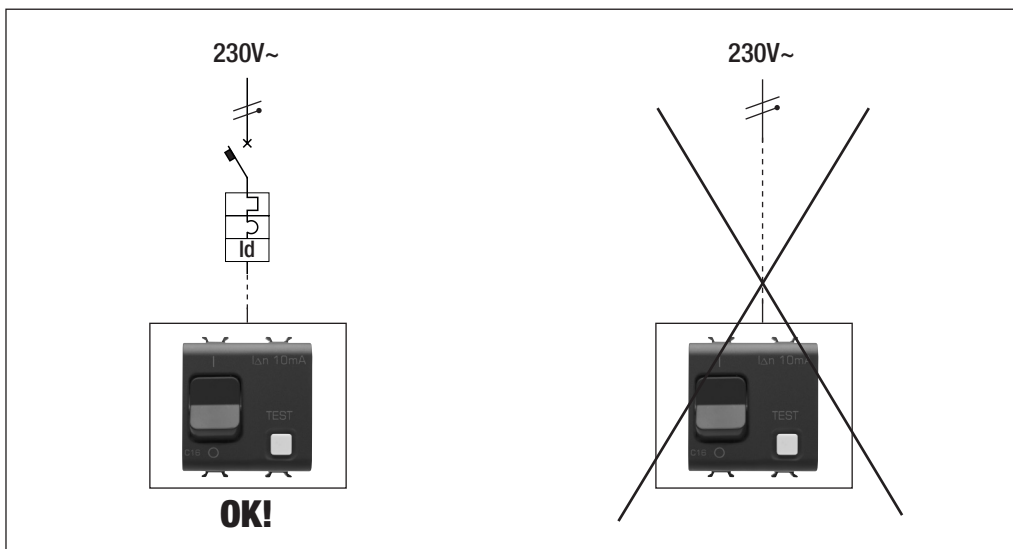
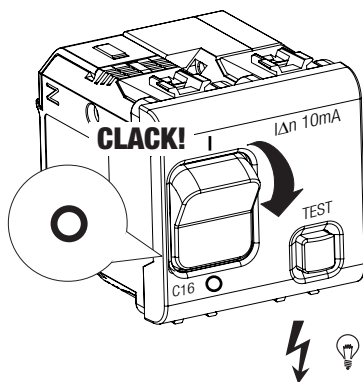


GW 10 482	GW 10 485	GW 10 488
GW 12 482	GW 12 485	GW 12 488
GW 13 482	GW 13 485	GW 13 488
GW 14 482	GW 14 485	GW 14 488
GW 15 482	GW 15 485	GW 15 488



GW 10 483	GW 10 486	GW 10 489
GW 12 483	GW 12 486	GW 12 489
GW 13 483	GW 13 486	GW 13 489
GW 14 483	GW 14 486	GW 14 489
GW 15 483	GW 15 486	GW 15 489

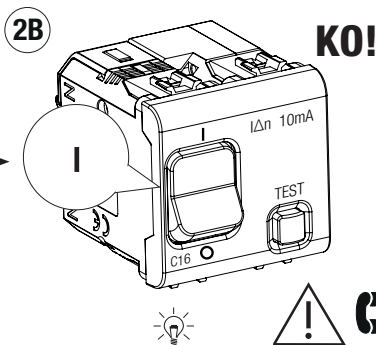
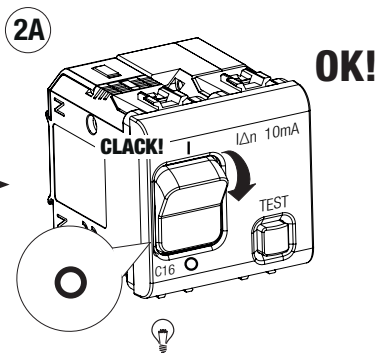
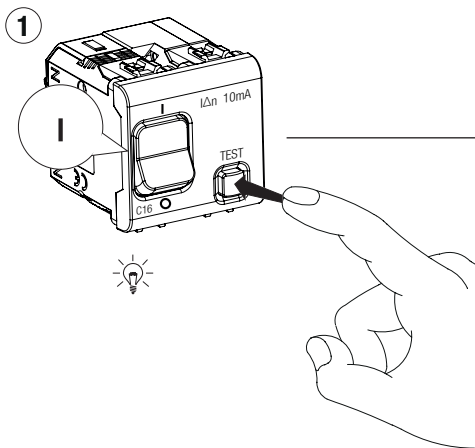




TEST



1,2,3 ... 12



Punto di contatto indicato in adempimento ai fini delle direttive e regolamenti UE applicabili:
 Contact details according to the relevant European Directives and Regulations:
 GEWISS S.p.A. Via A.Volta, 1 IT-24069 Cenate Sotto (BG) Italy tel: +39 035 946 111 E-mail: qualitymarks@gewiss.com

According to applicable UK regulations, the company responsible for placing the goods in UK market is:
 GEWISS UK LTD - Unity House, Compass Point Business Park, 9 Stocks Bridge Way, ST IVES
 Cambridgeshire, PE27 5JL, United Kingdom tel: +44 1954 712757 E-mail: gewiss-uk@gewiss.com

+39 035 946 11
 8:30 - 12:30 / 14:30 - 18:00
 lunedì - venerdì / monday - friday

www.gewiss.com

