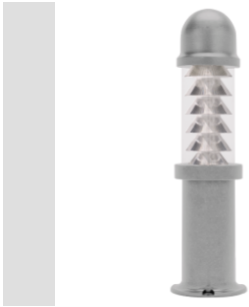


Product Data Sheet

GW82011G

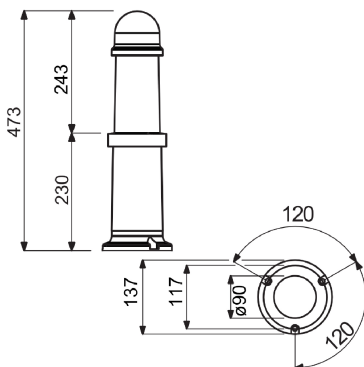
POINT range



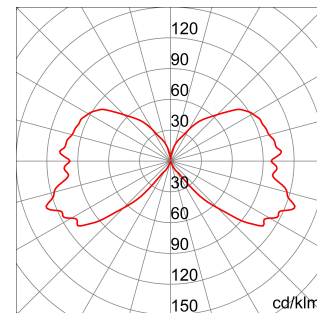
Pole style lighting apparatus for residential areas. Characterized by the shielding of the light source, it hosts LED sources. Available in two different, small sizes (h = 473 mm and 550 mm). Sober and elegant design, with a newly developed internal, transparent diffuser that conveys the light emission towards the ground, optimizing the flux and avoiding upwards light dispersion. The fixing means allow for a fast and safe maintenance.

| | | | |
|-------------------------------------|-----------------|----------------------|---------------|
| Lamp power | 5 W | Lamp | DR |
| Lamp holder | E14 | Colour | Graphite grey |
| No. of lamps | 1 | Glow Wire Test | 650 °C |
| Insulation class | II | IP degree | IP55 |
| Mechanical resistance | IK10 | Voltage | 230 V - 50 Hz |
| Application | External | Light pollution | 25% |
| Efficiency class of integrated LEDs | D ÷ A+ | Type of light source | A+ |
| Warranty | Can be extended | Electrocod | 2442 |

DIMENSIONAL



PHOTOMETRIC DISTRIBUTION



TECHNICAL SYMBOLOGY

GWT
650 °C



IP
IP55

IK
IK10



EXTENDED WARRANTY

STANDARDS/APPROVALS

