

AC Free Input Axial Fans

R89F-M

CSM_R89F-__DS_E_3_1

Reducing required design work through unified power supply voltage

- Reduced time spent on replacement thanks to a longer service life.
- Selection of free voltage input 100 to 240 VAC models.
- Available in set packages (including finger guards, plug cords, and mounting screws).
- CE marking compliant, and certified compliant with various standards including UL and CSA.



For the most recent information on models that have been certified for safety standards, refer to your OMRON website.

Refer to the Safety Precautions for All Axial Fans on our website.

Model Number Structure

Model Number Legend

R89F-M □ □ □ □ □ □ □ □ - □ □
 1 2 3 4 5 6 7 8

1. Basic series

R89F	Plastic Blade Series
-------------	----------------------

3. Frame shape

S	Square
----------	--------

5. Frame thickness

38	38
-----------	----

7. Terminal type

P	Terminals *
----------	-------------

* A Plug Cord (R89F-PC) is required for models with terminals.

2. Rated voltage

M	100 to 240 VAC
----------	----------------

4. Frame

09	92 × 92
12	120 × 120

6. Rotational speed

H	High speed
L	Low speed

8. Delivered configuration

No marking	Standard
S1	Finger guard + Screw and nut set + Plug cord *
S2	Finger guard + Screw and nut set + Plug cord *

* Refer to *Set Model* on page 1 and 13 for details.

Note: These tables show only how to read model numbers. They do not indicate which products are available. Refer to *Ratings and Ordering Information* when ordering.

Ordering Information

AC Free Input Axial Fans

Series	Size (mm)	Speed	Model	Page
R89F-M series	92 × 92 × t38	High	R89F-MS0938HP	2
	92 × 92 × t38	Low	R89F-MS0938LP	2
	120 × 120 × t38	High	R89F-MS1238HP	3

Options (Order Separately)

Name	Model	Page
Plug Cord	R89F-PC-□	4
Finger Guard	R87F-FG□	5
Filter	R87F-FL□(S)	6

Note: Mounting screws are not provided.

Set Model

Model	Set Contents
R89F-MS0938HP-S1	Fan, Finger guard × 1, M4 Screw (55 mm) × 4 and nut set × 4, Plug cord (1 m)
R89F-MS0938LP-S1	Fan, Finger guard × 1, M4 Screw (55 mm) × 4 and nut set × 4, Plug cord (1 m)
R89F-MS1238HP-S1	Fan, Finger guard × 1, M4 Screw (55 mm) × 4 and nut set × 4, Plug cord (1 m)
R89F-MS0938HP-S2	Fan, Finger guard × 2, M4 Screw (55 mm) × 4 and nut set × 4, Plug cord (1 m)
R89F-MS0938LP-S2	Fan, Finger guard × 2, M4 Screw (55 mm) × 4 and nut set × 4, Plug cord (1 m)
R89F-MS1238HP-S2	Fan, Finger guard × 2, M4 Screw (55 mm) × 4 and nut set × 4, Plug cord (1 m)

Safety Precautions

Refer to the *Safety Precautions for All Axial Fans* on our website.

R89F-MS0938 □ AC Free Input Axial Fans (92 × 92 × t38 mm)

Ratings and Ordering Information

Model	Item	Rated voltage	Permitted voltage fluctuation range	Frequency [Hz]	Rated current [A] *	Rated input [W] *	Rated rotational speed [r/min] *	Maximum flow rate [m ³ /min] *	Maximum static pressure [Pa] *	Noise [dB] *
R89F-MS0938HP		100 to 240 VAC	90 to 264 V	50/60	0.08	4.5	3850	1.5	90	40
R89F-MS0938LP		100 to 240 VAC	90 to 264 V	50/60	0.06	3.0	3100	1.18	56	33

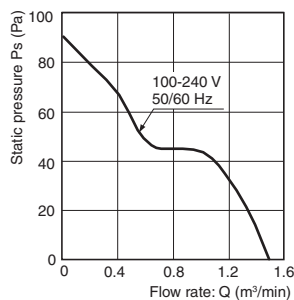
* An asterisk (*) indicates a nominal value.

Characteristics

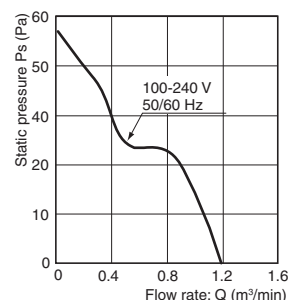
Motor type	Brushless DC motor
Terminal type	Terminals
Insulation class	Class E (UL class A)
Insulation resistance	10 MΩ min. (at 500 VDC) Between lead wire conductor and frame
Insulation withstand voltage	1,500 VAC (1 minute) Between input terminal and frame
Ambient operating temperature	-20 to 75°C (with no icing)
Ambient storage temperature	-30 to +75°C (no icing)
Ambient humidity	20% to 85%
Protection	Restraint burnout protection (Current blocking function)
Materials	Frame PBT/PC alloy (UL94V-0)
	Blades PBT/PC alloy (UL94V-0)
Bearings	Ball bearings
Weight	Approx. 250 g
Compliant standards	EN/IEC62368-1
	EN/IEC60335-2-80 (CE marking compliant)
	EAC, RCM
	PSE
Certified standards	UL: UL507 (Recognition) CSA: C22.2 No.113

Flow Rate and Static Pressure Characteristics (Reference Value)

R89F-MS0938HP



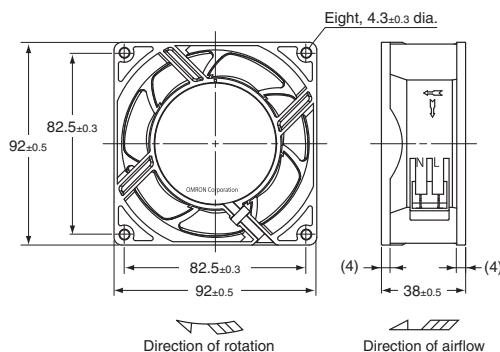
R89F-MS0938LP



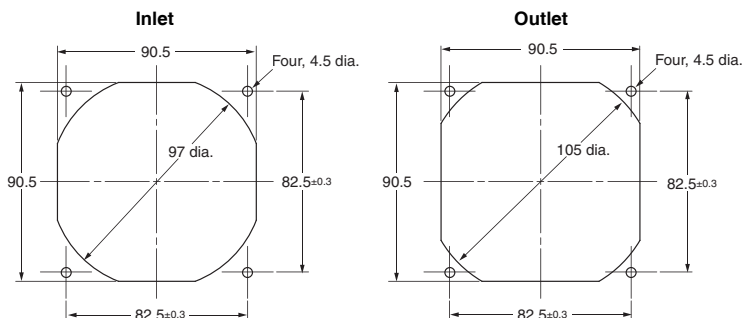
Note: For details on measurement conditions, refer to *Flow Rate and Static Pressure Characteristics on Safety Precautions for All Axial Fans*.

Dimensions

(Unit: mm)



Panel Cutouts



Options

Name	Model	Page
Plug Cord	R89F-PC-□	4
Finger Guard	R87F-FG90	5

R89F-MS1238 □ AC Free Input Axial Fans (120 × 120 × t38 mm)

Ratings and Ordering Information

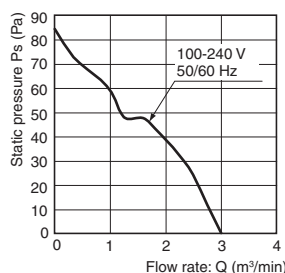
Model	Item	Rated voltage	Permitted voltage fluctuation range	Frequency [Hz]	Rated current [A] *	Rated input [W] *	Rated rotational speed [r/min] *	Maximum flow rate [m ³ /min] *	Maximum static pressure [Pa] *	Noise [dB] *
R89F-MS1238HP		100 to 240 VAC	90 to 264 V	50/60	0.08	4.4	3250	3.0	84	42

* An asterisk (*) indicates a nominal value.

Characteristics

Motor type	Brushless DC motor	
Terminal type	Terminals	
Insulation class	Class E (UL class A)	
Insulation resistance	10 MΩ min. (at 500 VDC) Between lead wire conductor and frame	
Insulation withstand voltage	1,500 VAC (1 minute) Between input terminal and frame	
Ambient operating temperature	-20 to 75°C (with no icing)	
Ambient storage temperature	-30 to +75°C (no icing)	
Ambient humidity	20% to 85%	
Protection	Restraint burnout protection (Current blocking function)	
Materials	Frame	PBT/PC alloy (UL94V-0)
	Blades	PPHOX (UL94V-1)
Bearings	Ball bearings	
Weight	Approx. 290 g	
Compliant standards	EN/IEC62368-1 EN/IEC60335-2-80 (CE marking compliant) EAC, RCM PSE	
Certified standards	UL: UL507 (Recognition) CSA: C22.2 No.113	

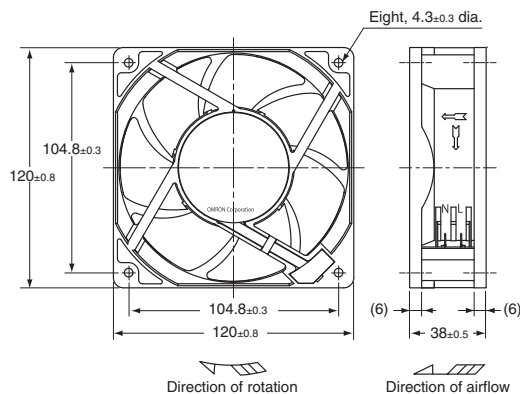
Flow Rate and Static Pressure Characteristics (Reference Value) R89F-MS1238HP



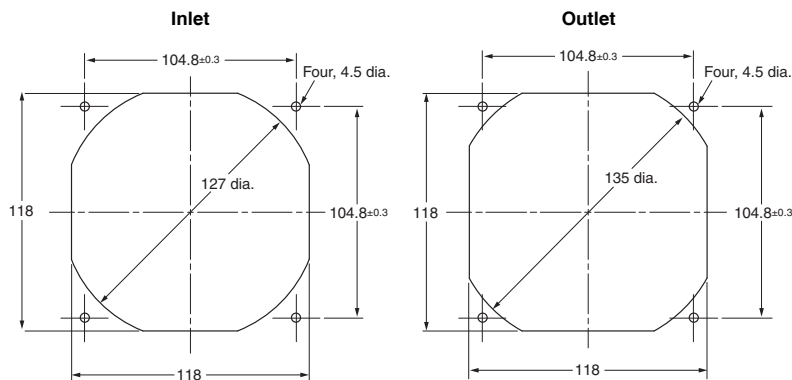
Note: For details on measurement conditions, refer to *Flow Rate and Static Pressure Characteristics on Safety Precautions for All Axial Fans*.

Dimensions

(Unit: mm)



Panel Cutouts



Options

Name	Model	Page
Plug Cord	R89F-PC-□	4
Finger Guard	R87F-FG120	5
Filter	R87F-FL120(S)	6

R89F-PC Plug Cord

Ratings and Ordering Information

Cable length	Model	Weight
1 m	R89F-PC	Approx. 38 g
2 m	R89F-PC-20	Approx. 74 g

R89F-PC Rating: 3 A, 250 V

UL-certified / Electrical Appliances and Materials Safety Act-compliant

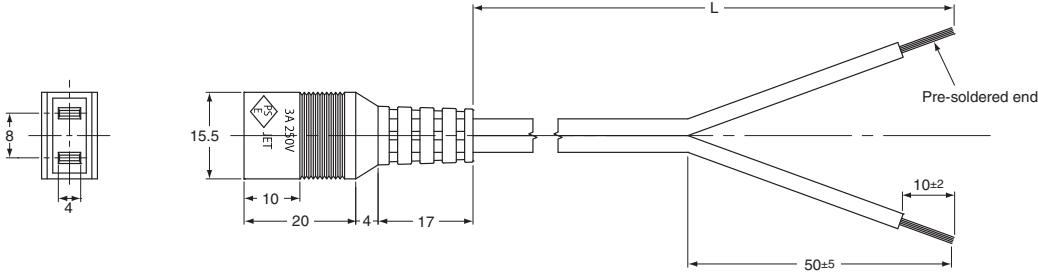


Dimensions

(Unit: mm)

R89F-PC

R89F-PC L=1000⁺⁵⁰₋₀
 R89F-PC-20 L=2100⁺¹⁰⁰₋₀



Note: This Plug Cord is used for Axial Fans with terminals.

R87F-FG Finger Guards

Ratings and Ordering Information

Size	Model number	Weight (g)
150 dia.	R87F-FG150	Approx. 58
120 × 120	R87F-FG120	Approx. 45
92 × 92	R87F-FG90	Approx. 25
80 × 80	R87F-FG80	Approx. 20

Applicable Axial Fans

AC Axial Fan		Finger Guard
Size	Model	
150 dia.	R87T-A□A0 Series	R87F-FG150
120 × 120	R89F-DS1225□ series R89F-DS1238□ series R89F-MS1238HP	R87F-FG120
	R87F-A□A1 Series R87T-A□A1 Series	
92 × 92	R89F-MS0938□P series	R87F-FG90
92 × 92	R87F-A□A9 Series	R87F-FG90
80 × 80	R87F-A□A8 Series R87T-A□A8 Series	R87F-FG80

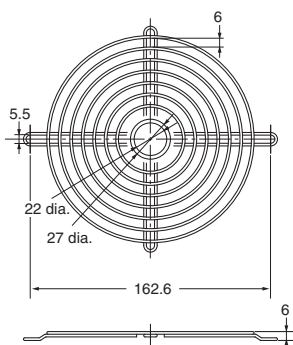
Note: Finger Guards reduce the flow rate by approximately 2% to 5%.

Dimensions

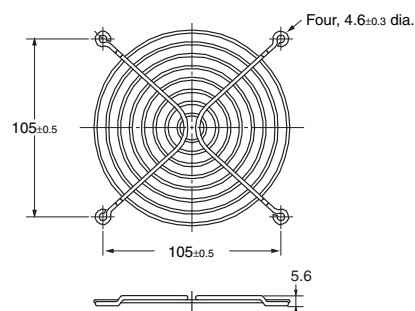
(Unit: mm)

Material: steel, Joints: spot welded, Surface: nickel-chrome plated

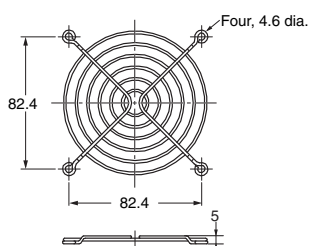
R87F-FG150



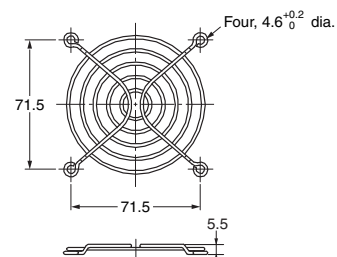
R87F-FG120



R87F-FG90



R87F-FG80



R87F-FL Filters

Ratings and Ordering Information

Filter	Size	Model number	Weight (g)
	120 × 120	R87F-FL120	Approx. 43
	92 × 92	R87F-FL90	Approx. 30
	80 × 80	R87F-FL80	Approx. 21
	120 × 120	R87F-FL120S	Approx. 19

Note: The filter contains one medium.

Media

Size	Model number
120 × 120	R87F-FL120-M120
92 × 92	R87F-FL90-M90
80 × 80	R87F-FL80-M80

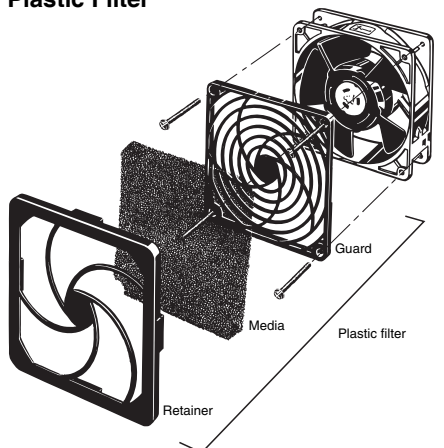
Note: Use the following model number to order the Media only.
 R87F-FL□-M□ (□: 120, 90, or 80)
 (One set containing five Media, weight: 5 g max.)

Applicable Axial Fans

Size	AC Axial Fan		Filter	
	Model	Plastic	Aluminum	
150 dia.	R87T-A□A0 Series	---	---	
	R89F-DS1225□ series			
120 × 120	R89F-DS1238□ series	R87F-FL120	R87F-FL120S	
	R89F-MS1238HP			
	R87F-A□A1 Series			
	R87T-A□A1 Series			
92 × 92	R87F-A□A9 Series	R87F-FL90	---	
80 × 80	R87F-A□A8 Series	R87F-FL80	---	
	R87T-A□A8 Series			

Note: Filters reduce the flow rate by approximately 20% to 40%.
 Ensure that there is no clogging.

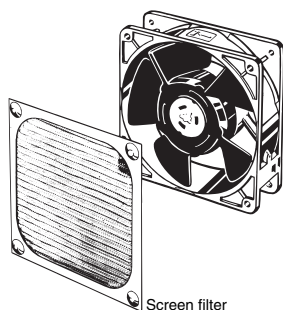
R87F-FL□ Plastic Filter



Mounting Method

1. Attach the guard to the Fan using the mounting bolts. (There are no mounting bolts provided with the Plastic Filter.)
2. With the media held between the retainer and the guard, hook the retainer to the guard. (The Media and retainer can be one-touch mounted/dismounted.)

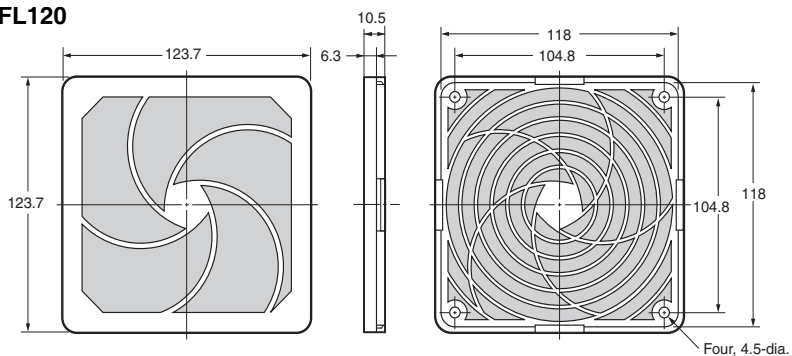
R87F-FL120S Screen Filter



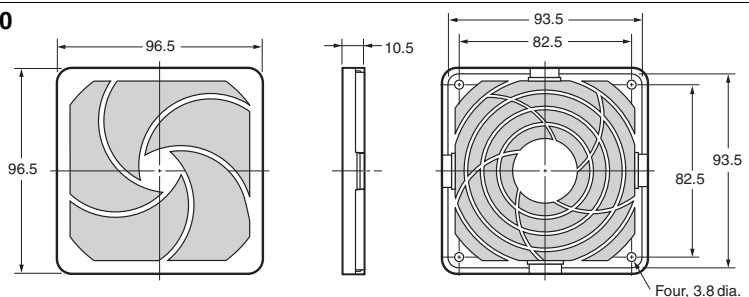
Dimensions

(Unit: mm)

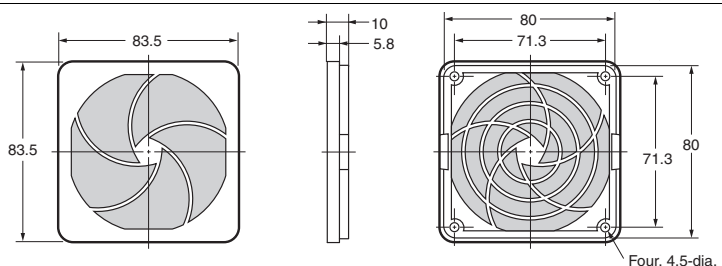
R87F-FL120



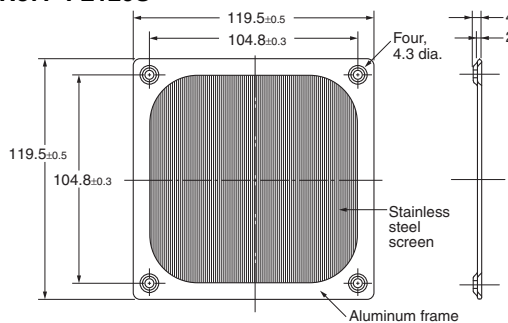
R87F-FL90



R87F-FL80



R87F-FL120S



- Note:**
1. The Screen Filter is made using aluminium and has an EMI/RFI shielding effect.
 2. When mounting the Screen Filter, make sure that it does not come in contact with the fan blades.
 3. The screen is a 30 × 30 aluminum mesh. (30 aluminum wires per inch)

DC Axial Fans

R89F-D

Reducing required design work through unified power supply voltage



- Reduced time spent on replacement thanks to a longer service life.
- Selection of low-voltage input 24 VDC models.
- Available in set packages (including finger guards and mounting screws).
- CE marking compliant, and certified compliant with various standards including UL and CSA.



For the most recent information on models that have been certified for safety standards, refer to your OMRON website.

Refer to the Safety Precautions for All Axial Fans on our website.

Model Number Structure

Model Number Legend

R89F-D □ □ □ □ □ □ □ □ - □ □
 1 2 3 4 5 6 7 8

1. Basic series

R89F	Plastic Blade Series
-------------	----------------------

2. Rated voltage

D	24 VDC
----------	--------

3. Frame shape

S	Square
----------	--------

4. Frame

09	92 × 92
12	120 × 120

5. Frame thickness

25	25
38	38

6. Rotational speed

H	High speed
L	Low speed

7. Terminal type

No marking	Lead wires
-------------------	------------

8. Delivered configuration

No marking	Standard
S1	Finger guard +
S2	Screw and nut set *

* Refer to *Set Model* on page 7 and 13 for details.

Note: These tables show only how to read model numbers. They do not indicate which products are available. Refer to *Ratings and Ordering Information* when ordering.

Ordering Information

DC Axial Fans

Series	Size (mm)	Speed	Model	Page
R89F-D series	92 × 92 × t25	High	R89F-DS0925H	8
	92 × 92 × t25	Low	R89F-DS0925L	8
	120 × 120 × t25	High	R89F-DS1225H	9
	120 × 120 × t25	Low	R89F-DS1225L	9
	120 × 120 × t38	High	R89F-DS1238H	10
	120 × 120 × t38	Low	R89F-DS1238L	10

Options (Order Separately)

Name	Model	Page
Finger Guard	R87F-FG□	11
Filter	R87F-FL□(S)	12

Note: Mounting screws are not provided.

Set Model

Model	Set Contents
R89F-DS0925H-S1	Fan, Finger guard × 1, M4 Screw (40 mm) × 4 and nut set × 4
R89F-DS0925L-S1	Fan, Finger guard × 1, M4 Screw (40 mm) × 4 and nut set × 4
R89F-DS1225H-S1	Fan, Finger guard × 1, M4 Screw (40 mm) × 4 and nut set × 4
R89F-DS1225L-S1	Fan, Finger guard × 1, M4 Screw (40 mm) × 4 and nut set × 4
R89F-DS1238H-S1	Fan, Finger guard × 1, M4 Screw (55 mm) × 4 and nut set × 4
R89F-DS1238L-S1	Fan, Finger guard × 1, M4 Screw (55 mm) × 4 and nut set × 4
R89F-DS0925H-S2	Fan, Finger guard × 2, M4 Screw (40 mm) × 4 and nut set × 4
R89F-DS0925L-S2	Fan, Finger guard × 2, M4 Screw (40 mm) × 4 and nut set × 4
R89F-DS1225H-S2	Fan, Finger guard × 2, M4 Screw (40 mm) × 4 and nut set × 4
R89F-DS1225L-S2	Fan, Finger guard × 2, M4 Screw (40 mm) × 4 and nut set × 4
R89F-DS1238H-S2	Fan, Finger guard × 2, M4 Screw (55 mm) × 4 and nut set × 4
R89F-DS1238L-S2	Fan, Finger guard × 2, M4 Screw (55 mm) × 4 and nut set × 4

Safety Precautions

Refer to the *Safety Precautions for All Axial Fans* on our website.

R89F-DS0925 □ DC Axial Fans (92 × 92 × t25 mm)

Ratings and Ordering Information

Model	Rated voltage	Permitted voltage fluctuation range	Frequency [Hz]	Rated current [A] *	Rated input [W] *	Rated rotational speed [r/min] *	Maximum flow rate [m ³ /min] *	Maximum static pressure [Pa] *	Noise [dB] *
R89F-DS0925H	24 VDC	12 to 27.6 V	---	0.15	3.6	3550	1.66	56.1	39
R89F-DS0925L	24 VDC	12 to 27.6 V	---	0.08	1.92	2650	1.24	32.2	30

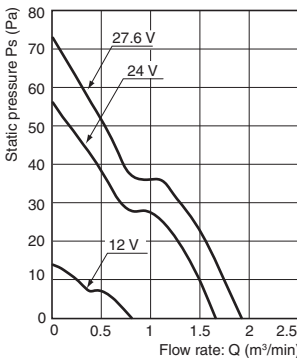
* An asterisk (*) indicates a nominal value.

Characteristics

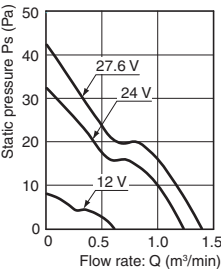
Motor type	Brushless DC motor	
Terminal type	Lead wires	
Insulation class	Class E (UL class A)	
Insulation resistance	10 MΩ min. (at 500 VDC) Between lead wire conductor and frame	
Insulation withstand voltage	500 VAC (1 minute) Between lead wire conductor and frame	
Ambient operating temperature	-20 to +70°C (no icing)	
Ambient storage temperature	-30 to +70°C (no icing)	
Ambient humidity	20% to 85%	
Protection	Restraint burnout protection (Current blocking function) Power supply lead wire reverse polarity protection	
Materials	Frame	PBT/ABS alloy (UL94V-0)
	Blades	PBT/ABS alloy (UL94V-0)
Bearings	Ball bearings	
Weight	Approx. 100 g	
Compliant standards	EN/IEC62368-1 EN/IEC60335-2-80 (CE marking compliant) EAC RCM	
Certified standards	UL: UL507 (Recognition) CSA: C22.2 No.113	

Flow Rate and Static Pressure Characteristics (Reference Value)

R89F-DS0925H



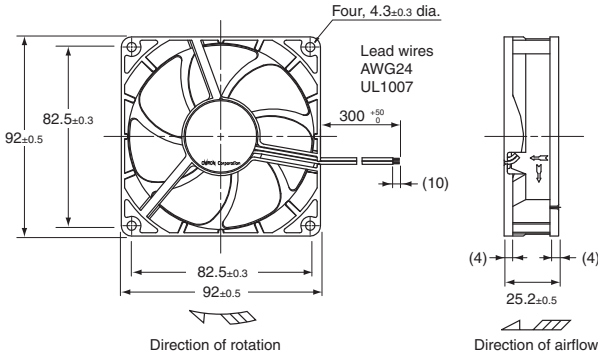
R89F-DS0925L



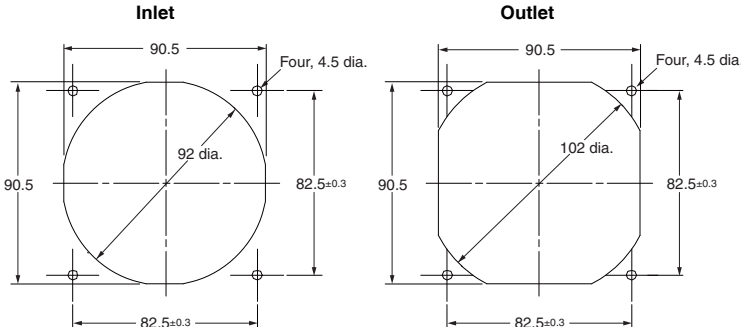
Note: For details on measurement conditions, refer to *Flow Rate and Static Pressure* on page 17.

Dimensions

(Unit: mm)



Panel Cutouts



Options

Name	Model	Page
Finger Guard	R87F-FG90	11

R89F-DS1225 □ DC Axial Fans (120 × 120 × t25 mm)

Ratings and Ordering Information

Model	Item	Rated voltage	Permitted voltage fluctuation range	Frequency [Hz]	Rated current [A] *	Rated input [W] *	Rated rotational speed [r/min] *	Maximum flow rate [m ³ /min] *	Maximum static pressure [Pa] *	Noise [dB] *
R89F-DS1225H		24 VDC	20.4 to 27.6 V	---	0.47	11.28	4100	3.68	120	51
R89F-DS1225L		24 VDC	12 to 27.6 V	---	0.17	4.08	2850	2.5	64	40

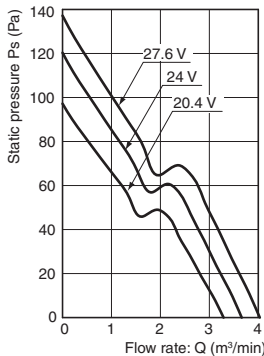
* An asterisk (*) indicates a nominal value.

Characteristics

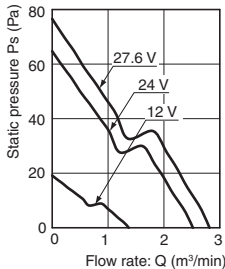
Motor type	Brushless DC motor	
Terminal type	Lead wires	
Insulation class	Class E (UL class A)	
Insulation resistance	10 MΩ min. (at 500 VDC) Between lead wire conductor and frame	
Insulation withstand voltage	500 VAC (1 minute) Between lead wire conductor and frame	
Ambient operating temperature	-20 to +70°C (no icing)	
Ambient storage temperature	-30 to +70°C (no icing)	
Ambient humidity	20% to 85%	
Protection	Restraint burnout protection (Current blocking function) Power supply lead wire reverse polarity protection	
Materials	Frame	PBT/ABS alloy (UL94V-0)
	Blades	PPOX (UL94V-1)
Bearings	Ball bearings	
Weight	Approx. 280 g	
Compliant standards	EN/IEC62368-1 EN/IEC60335-2-80 (CE marking compliant) EAC RCM	
Certified standards	UL: UL507 (Recognition) CSA: C22.2 No.113	

Flow Rate and Static Pressure Characteristics (Reference Value)

R89F-DS1225H



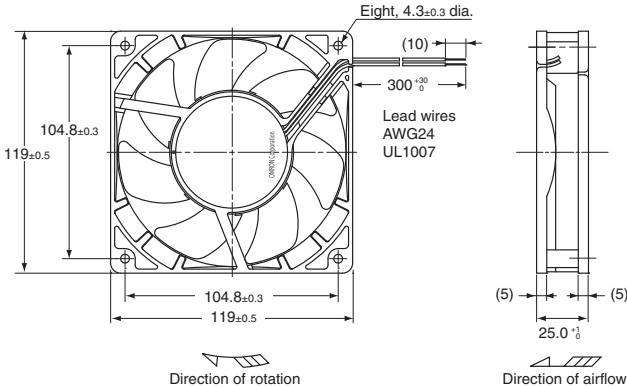
R89F-DS1225L



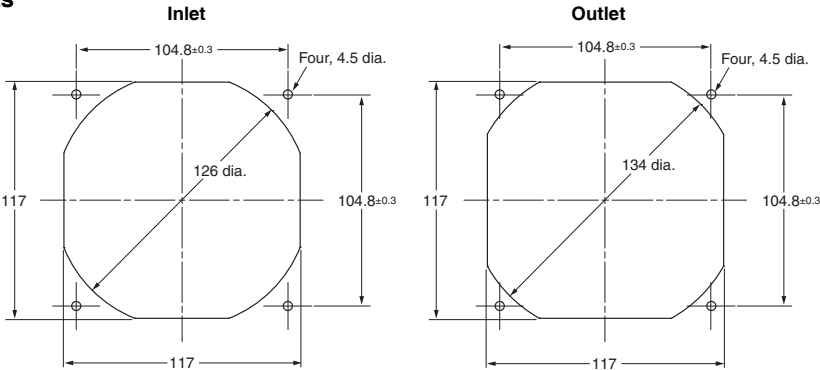
Note: For details on measurement conditions, refer to *Flow Rate and Static Pressure Characteristics on Safety Precautions for All Axial Fans*.

Dimensions

(Unit: mm)



Panel Cutouts



Options

Name	Model	Page
Finger Guard	R87F-FG120	11
Filter	R87F-FL120(S)	12

R89F-DS1238 □ DC Axial Fans (120 × 120 × t38 mm)

Ratings and Ordering Information

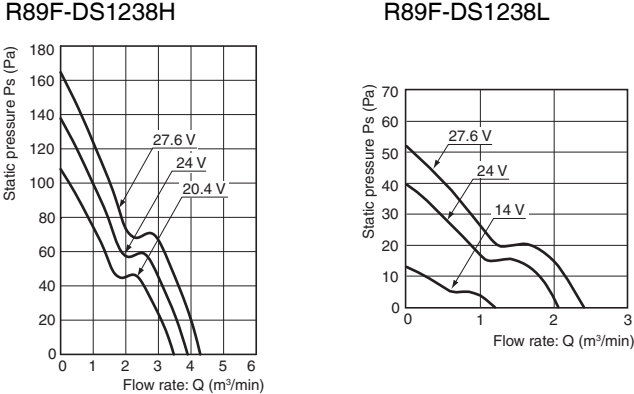
Model	Rated voltage	Permitted voltage fluctuation range	Frequency [Hz]	Rated current [A] *	Rated input [W] *	Rated rotational speed [r/min ⁻¹] *	Maximum flow rate [m ³ /min] *	Maximum static pressure [Pa] *	Noise [dB] *
R89F-DS1238H	24 VDC	20.4 to 27.6 V	---	0.5	12	3600	3.88	135	49
R89F-DS1238L	24 VDC	14 to 27.6 V	---	0.11	2.64	1950	2.1	39.6	32

* An asterisk (*) indicates a nominal value.

Motor type	Brushless DC motor
Terminal type	Lead wires
Insulation class	Class E (UL class A)
Insulation resistance	10 MΩ min. (at 500 VDC) Between lead wire conductor and frame
Insulation withstand voltage	500 VAC (1 minute) Between lead wire conductor and frame
Ambient operating temperature	-20 to +70°C (no icing)
Ambient storage temperature	-30 to +70°C (no icing)
Ambient humidity	20% to 85%
Protection	Restraint burnout protection (Current blocking function) Power supply lead wire reverse polarity protection
Materials	Frame PBT/ABS alloy (UL94V-0) Blades PPHOX (UL94V-1)
Bearings	Ball bearings
Weight	Approx. 330 g
Compliant standards	EN/IEC62368-1 EN/IEC60335-2-80 (CE marking compliant) EAC RCM
Certified standards	UL: UL507 (Recognition) CSA: C22.2 No.113

Characteristics

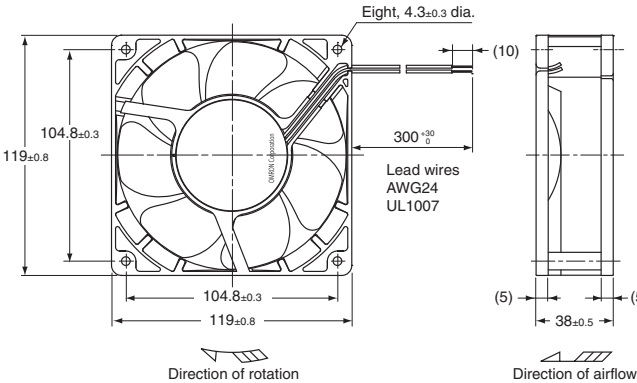
Flow Rate and Static Pressure Characteristics (Reference Value)



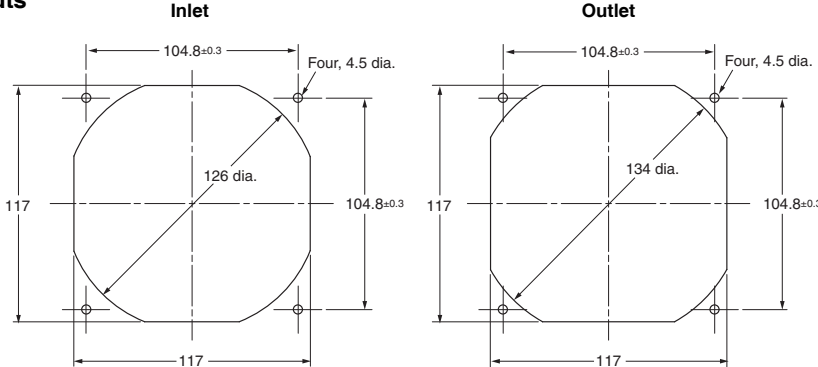
Note: For details on measurement conditions, refer to *Flow Rate and Static Pressure Characteristics on Safety Precautions for All Axial Fans*.

Dimensions

(Unit: mm)



Panel Cutouts



Options

Name	Model	Page
Finger Guard	R87F-FG120	11
Filter	R87F-FL120(S)	12

R87F-FG Finger Guards

Ratings and Ordering Information

Size	Model number	Weight (g)
150 dia.	R87F-FG150	Approx. 58
120 × 120	R87F-FG120	Approx. 45
92 × 92	R87F-FG90	Approx. 25
80 × 80	R87F-FG80	Approx. 20

Applicable Axial Fans

AC Axial Fan		Finger Guard
Size	Model	
150 dia.	R87T-A□A0 Series	R87F-FG150
120 × 120	R89F-DS1225□ series R89F-DS1238□ series R89F-MS1238HP	R87F-FG120
	R87F-A□A1 Series R87T-A□A1 Series	
92 × 92	R89F-DS0925□ series R89F-MS0938□P series R87F-A□A9 Series	R87F-FG90
80 × 80	R87F-A□A8 Series R87T-A□A8 Series	R87F-FG80

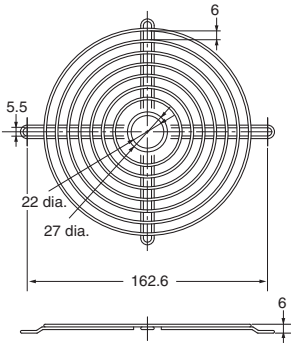
Note: Finger Guards reduce the flow rate by approximately 2% to 5%.

Dimensions

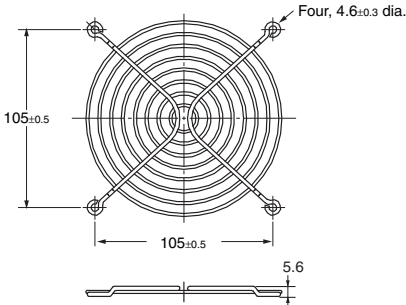
(Unit: mm)

Material: steel, Joints: spot welded, Surface: nickel-chrome plated

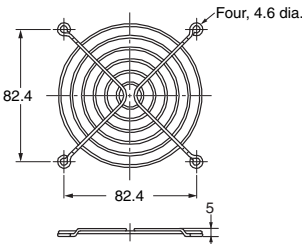
R87F-FG150



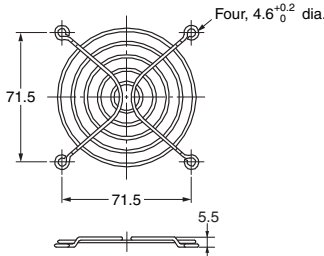
R87F-FG120



R87F-FG90



R87F-FG80



R87F-FL Filters

Ratings and Ordering Information

Filter	Size	Model number	Weight (g)
	120 × 120	R87F-FL120	Approx. 43
	92 × 92	R87F-FL90	Approx. 30
	80 × 80	R87F-FL80	Approx. 21
	120 × 120	R87F-FL120S	Approx. 19

Note: The filter contains one medium.

Media

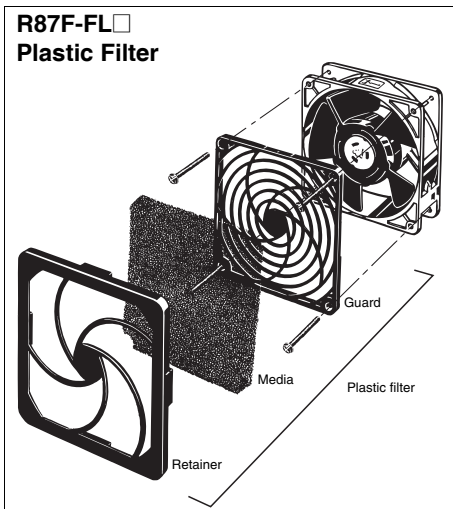
Size	Model number
120 × 120	R87F-FL120-M120
92 × 92	R87F-FL90-M90
80 × 80	R87F-FL80-M80

Note: Use the following model number to order the Media only.
 R87F-FL□-M□ (□: 120, 90, or 80)
 (One set containing five Media, weight: 5 g max.)

Applicable Axial Fans

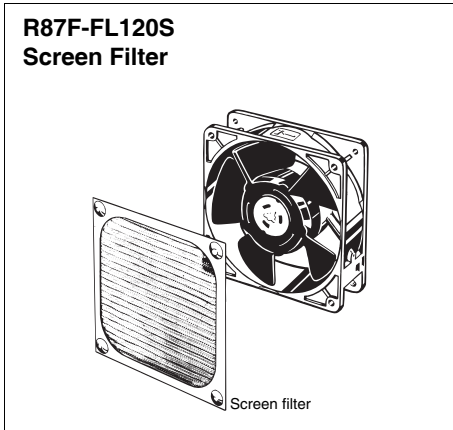
Size	AC Axial Fan		Filter	
	Model	Plastic	Aluminum	
150 dia.	R87T-A□A0 Series	---	---	
	R89F-DS1225□ series			
120 × 120	R89F-DS1238□ series	R87F-FL120	R87F-FL120S	
	R89F-MS1238HP			
	R87F-A□A1 Series			
	R87T-A□A1 Series			
92 × 92	R87F-A□A9 Series	R87F-FL90	---	
80 × 80	R87F-A□A8 Series	R87F-FL80	---	
	R87T-A□A8 Series			

Note: Filters reduce the flow rate by approximately 20% to 40%.
 Ensure that there is no clogging.



Mounting Method

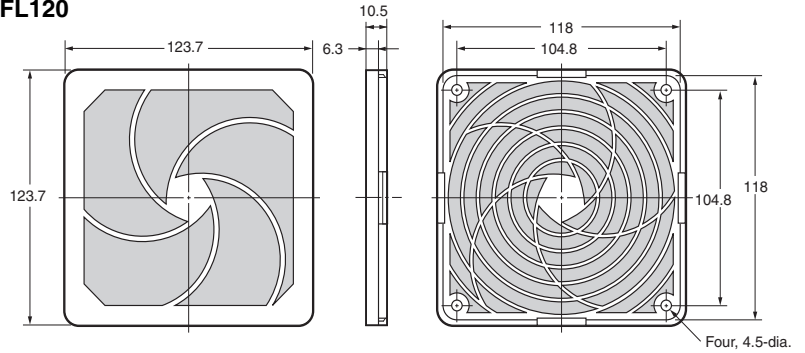
1. Attach the guard to the Fan using the mounting bolts. (There are no mounting bolts provided with the Plastic Filter.)
2. With the media held between the retainer and the guard, hook the retainer to the guard. (The Media and retainer can be one-touch mounted/dismounted.)



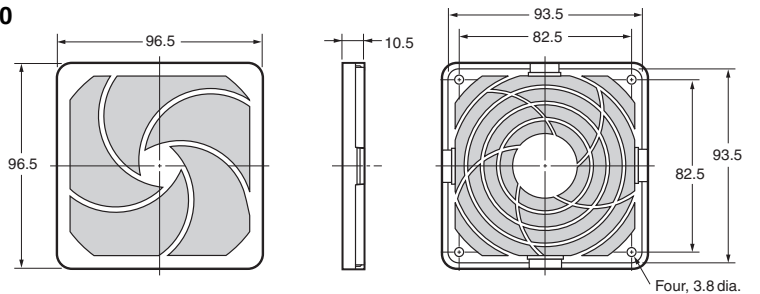
Dimensions

(Unit: mm)

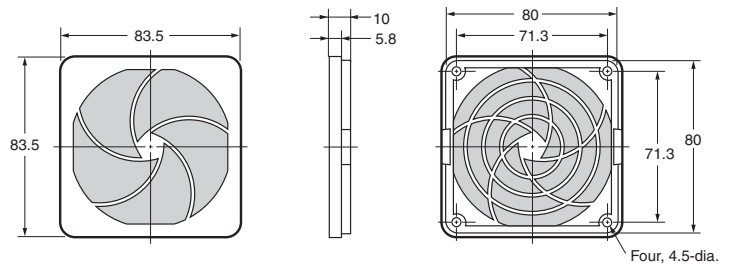
R87F-FL120



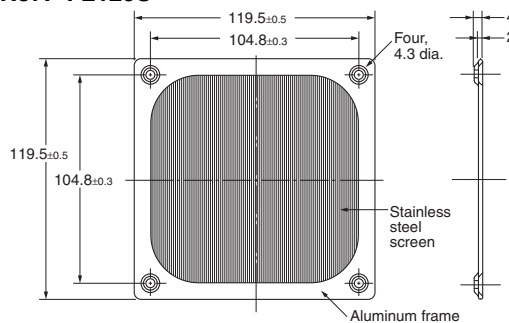
R87F-FL90



R87F-FL80



R87F-FL120S




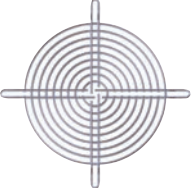




- Note:**
1. The Screen Filter is made using aluminum and has an **EMI/RFI** shielding effect.
 2. When mounting the Screen Filter, make sure that it does not come in contact with the fan blades.
 3. The screen is a 30 × 30 aluminum mesh. (30 aluminum wires per inch)

Set Model

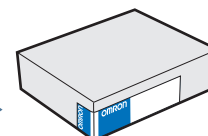
- Select the optimum size for a variety of control panels.
- All required parts can be ordered as a set, ideal for fan replacement.
- All required maintenance parts are included in one box, requiring less space and reduced parts management work.

R89F-□□□□□□□□-S1 *Only applicable for DC Axial Fans and AC Free Input Axial Fans.

Set Contents

Fan 	Finger Guard × 1 	Plug Cord (1 m)  <small>* AC Free Input Axial Fan only</small>
M4 screws × 4 	Hexagonal nuts × 4 	Instruction manual 


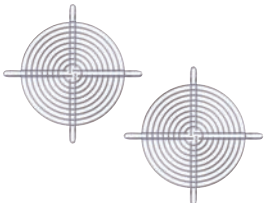




All required parts included in one box



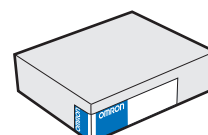
* Packaging for illustrative purposes only.

R89F-□□□□□□□□-S2 *Only applicable for DC Axial Fans and AC Free Input Axial Fans.

Set Contents

Fan 	Finger Guard × 2 	Plug Cord (1 m)  <small>* AC Free Input Axial Fan only</small>
M4 screws × 4 	Hexagonal nuts × 4 	Instruction manual 

All required parts included in one box



* Packaging for illustrative purposes only.

Terms and Conditions Agreement

Read and understand this catalog.

Please read and understand this catalog before purchasing the products. Please consult your OMRON representative if you have any questions or comments.

Warranties.

(a) Exclusive Warranty. Omron's exclusive warranty is that the Products will be free from defects in materials and workmanship for a period of twelve months from the date of sale by Omron (or such other period expressed in writing by Omron). Omron disclaims all other warranties, express or implied.

(b) Limitations. OMRON MAKES NO WARRANTY OR REPRESENTATION, EXPRESS OR IMPLIED, ABOUT NON-INFRINGEMENT, MERCHANTABILITY OR FITNESS FOR A PARTICULAR PURPOSE OF THE PRODUCTS. BUYER ACKNOWLEDGES THAT IT ALONE HAS DETERMINED THAT THE PRODUCTS WILL SUITABLY MEET THE REQUIREMENTS OF THEIR INTENDED USE.

Omron further disclaims all warranties and responsibility of any type for claims or expenses based on infringement by the Products or otherwise of any intellectual property right. (c) Buyer Remedy. Omron's sole obligation hereunder shall be, at Omron's election, to (i) replace (in the form originally shipped with Buyer responsible for labor charges for removal or replacement thereof) the non-complying Product, (ii) repair the non-complying Product, or (iii) repay or credit Buyer an amount equal to the purchase price of the non-complying Product; provided that in no event shall Omron be responsible for warranty, repair, indemnity or any other claims or expenses regarding the Products unless Omron's analysis confirms that the Products were properly handled, stored, installed and maintained and not subject to contamination, abuse, misuse or inappropriate modification. Return of any Products by Buyer must be approved in writing by Omron before shipment. Omron Companies shall not be liable for the suitability or unsuitability or the results from the use of Products in combination with any electrical or electronic components, circuits, system assemblies or any other materials or substances or environments. Any advice, recommendations or information given orally or in writing, are not to be construed as an amendment or addition to the above warranty.

See <http://www.omron.com/global/> or contact your Omron representative for published information.

Limitation on Liability: Etc.

OMRON COMPANIES SHALL NOT BE LIABLE FOR SPECIAL, INDIRECT, INCIDENTAL, OR CONSEQUENTIAL DAMAGES, LOSS OF PROFITS OR PRODUCTION OR COMMERCIAL LOSS IN ANY WAY CONNECTED WITH THE PRODUCTS, WHETHER SUCH CLAIM IS BASED IN CONTRACT, WARRANTY, NEGLIGENCE OR STRICT LIABILITY.

Further, in no event shall liability of Omron Companies exceed the individual price of the Product on which liability is asserted.

Suitability of Use.

Omron Companies shall not be responsible for conformity with any standards, codes or regulations which apply to the combination of the Product in the Buyer's application or use of the Product. At Buyer's request, Omron will provide applicable third party certification documents identifying ratings and limitations of use which apply to the Product. This information by itself is not sufficient for a complete determination of the suitability of the Product in combination with the end product, machine, system, or other application or use. Buyer shall be solely responsible for determining appropriateness of the particular Product with respect to Buyer's application, product or system. Buyer shall take application responsibility in all cases.

NEVER USE THE PRODUCT FOR AN APPLICATION INVOLVING SERIOUS RISK TO LIFE OR PROPERTY OR IN LARGE QUANTITIES WITHOUT ENSURING THAT THE SYSTEM AS A WHOLE HAS BEEN DESIGNED TO ADDRESS THE RISKS, AND THAT THE OMRON PRODUCT(S) IS PROPERLY RATED AND INSTALLED FOR THE INTENDED USE WITHIN THE OVERALL EQUIPMENT OR SYSTEM.

Programmable Products.

Omron Companies shall not be responsible for the user's programming of a programmable Product, or any consequence thereof.

Performance Data.

Data presented in Omron Company websites, catalogs and other materials is provided as a guide for the user in determining suitability and does not constitute a warranty. It may represent the result of Omron's test conditions, and the user must correlate it to actual application requirements. Actual performance is subject to the Omron's Warranty and Limitations of Liability.

Change in Specifications.

Product specifications and accessories may be changed at any time based on improvements and other reasons. It is our practice to change part numbers when published ratings or features are changed, or when significant construction changes are made. However, some specifications of the Product may be changed without any notice. When in doubt, special part numbers may be assigned to fix or establish key specifications for your application. Please consult with your Omron's representative at any time to confirm actual specifications of purchased Product.

Errors and Omissions.

Information presented by Omron Companies has been checked and is believed to be accurate; however, no responsibility is assumed for clerical, typographical or proofreading errors or omissions.

2022.11

In the interest of product improvement, specifications are subject to change without notice.

OMRON Corporation
Industrial Automation Company

<http://www.ia.omron.com/>

(c)Copyright OMRON Corporation 2022 All Right Reserved.