

Product Data Sheet

GW15750

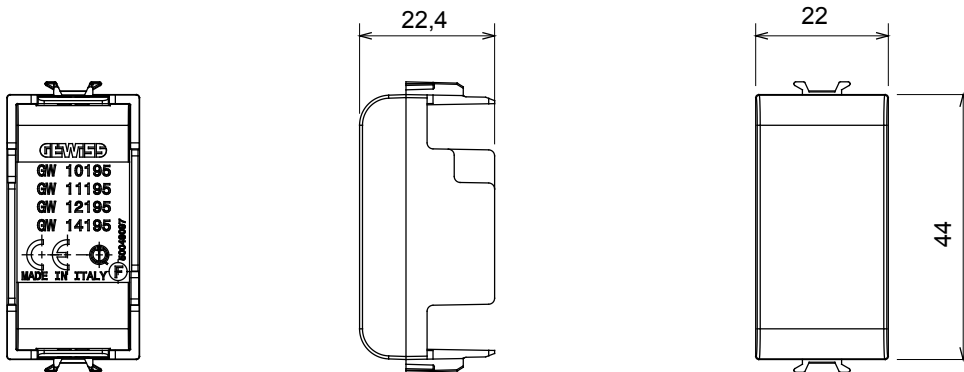
CHORUSMART - Domestic range



Accessory for ChoruSmart connected devices: allows you to install the retractable devices in the supports.

Category	Blanking module	Symbol	Radio frequency
Colour	Satin White	Description	1 module
Standard	EN 60669-1	Thermo-pressure with ball	125 °C
Glow Wire Test	850 °C	Suitable for	Contacts interfaces, Zigbee actuators
No. modules	1	Material	Technopolymer
Electrocod	0100		

DIMENSIONAL



TECHNICAL SYMBOLOGY



STANDARDS/APPROVALS

