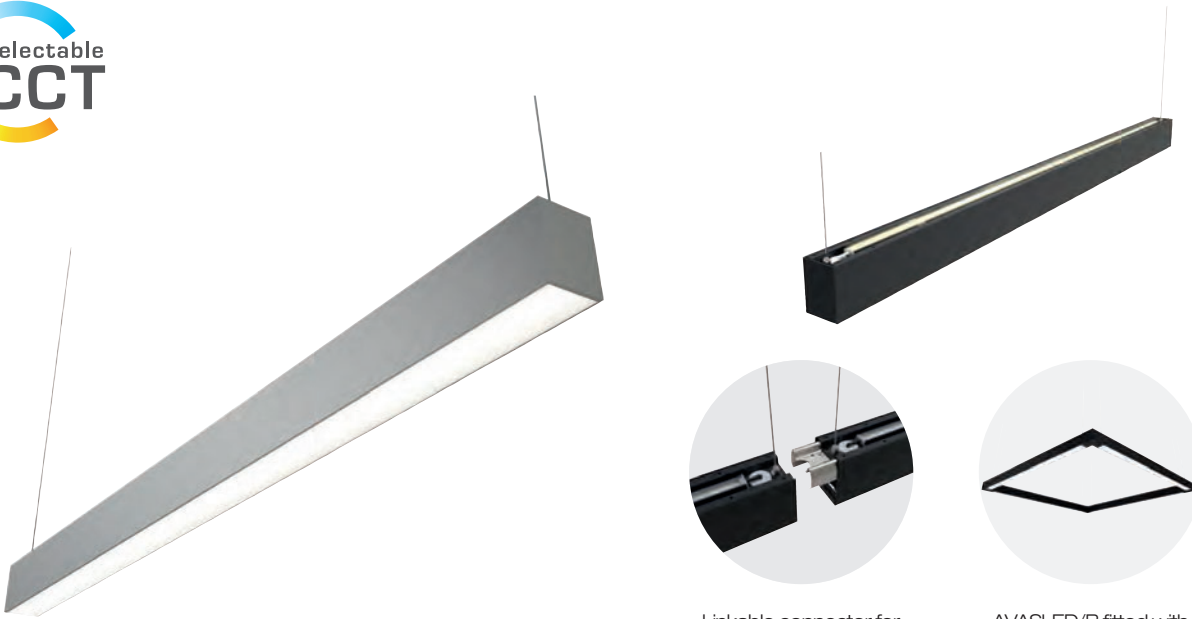
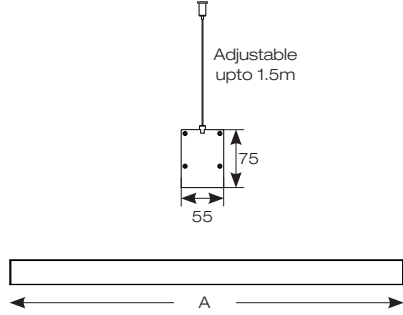


Vasco CCT Bi-directional Suspended Linear



- Aluminium bi-directional suspended pendant suitable for education, commercial and retail applications
- Aluminium extruded construction with integral driver
- Supplied bi-directional light output as standard with 30% upward light and 70% downward light ratio (directional only option can be selected if required)
- Opal diffuser provides optimal light uniformity
- Selectable CCT between 3000K, 4000K and 6000K output
- Pre-wired with 1.5 metre cable
- Adjustable suspension points c/w suspension kit
- 1-10V dimmable as standard



Linkable connector for continuous mounting

AVASLED/B fitted with AVASLED/90/B 90° Corner Connector

INPUT	HERTZ	TEMP	LIFETIME (HRS)	CRI	SDCM	BEAM ANGLE	CLASS	IP
220-240V	50/60Hz	-20 to 45°C	L90 36,000	Ra 80	6	105°	1	IP20

CODE	DESCRIPTION	WATTAGE	CCT	LUMENS	LM/W	UGR	A	TRADE
AVASLED	1200mm - Aluminium	50W	3000K/4000K/6000K	5300lm (4000K)	105lm (4000K)	23	1200mm	£104.00
AVASLED/B	1200mm - Black	50W					1200mm	£104.00
AVASLED/LO	1200mm - Aluminium - LO	15W		1600lm (4000K)	105lm (4000K)	20	1200mm	£113.00
AVASLED/LO/B	1200mm - Black - LO	15W					1200mm	£160.00
AVASLED5	1500mm - Aluminium	60W	3000K/4000K/6000K	6300lm (4000K)	105lm (4000K)	23	1504mm	£153.00
AVASLED5/B	1500mm - Black	60W					1504mm	£153.00
AVASLED5/LO	1500mm - Aluminium - LO	20W		2000lm (4000K)	103lm (4000K)	20	1504mm	£125.00
AVASLED5/LO/B	1500mm - Black - LO	20W					1504mm	£177.00

* UGR Value based on (4H - 8H)

CODE (ACCESSORIES)	DESCRIPTION	TRADE
AVASLED/LC	Continuous Linking Connector	£4.50
AVASLED/90	90° Corner Connector - Aluminium	£19.15
AVASLED/90/B	90° Corner Connector - Black	£19.15