



CorePro LEDspot AR111

CorePro LEDspot 10-75W 830 AR111 40D

CorePro LEDspot AR111 are a perfect fit for spot lighting and deliver warm halogen-like light. They are compatible with most existing fixtures with a G53 base and are designed as a retrofit replacement for halogen spots. CorePro LEDspot AR111 deliver significant energy savings and minimize maintenance cost.

Product data

General Information	
Cap-Base	G53 [G53]
Nominal lifetime	15,000 hour(s)
Switching Cycle	50,000
Lighting Technology	LED
Flux measurement reference	Narrow Cone
Light Technical	
Color Code	830 [CCT of 3000K]
Beam Angle (Nom)	40 degree(s)
Luminous Flux	800 lumen
Luminous Intensity (Nom)	1,700 cd
Color Designation	White (WH)
Correlated Color Temperature (Nom)	3000 K
Luminous Efficacy (rated) (Nom)	80.00 lm/W
Color Consistency	<6
Color rendering index (CRI)	80
LLMF At End Of Nominal Lifetime (Nom)	70 %
Luminous Flux in 90° Cone (Rated)	800 lumen

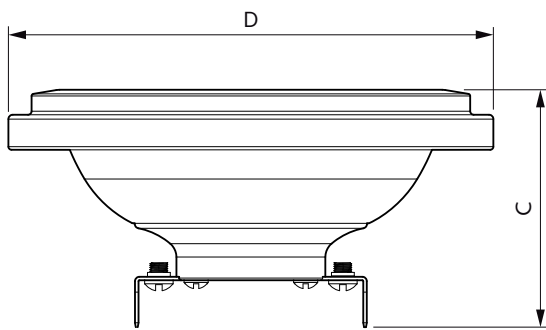
Operating and Electrical	
Line Frequency	- Hz
Input Frequency	- Hz
Power Consumption	10 W
Lamp Current (Nom)	920 mA
Wattage Equivalent	75 W
Starting Time (Nom)	0.5 s
Warm-up time to 60% light	1 s
Power Factor (Fraction)	0.7
Voltage (Nom)	ac electronic 12 V
Temperature	
T-Case Maximum (Nom)	70 °C
Controls and Dimming	
Dimmable	No
Mechanical and Housing	
Bulb Finish	Clear

CorePro LEDspot AR111

Bulb Shape	AR111
Approval and Application	
Suitable For Accent Lighting	Yes
Energy Consumption kWh/1000 h	10 kWh
EPREL Registration Number	491,862
CE mark	Yes
EU RoHS compliant	Yes
Product Data	
Full product code	871951430534200

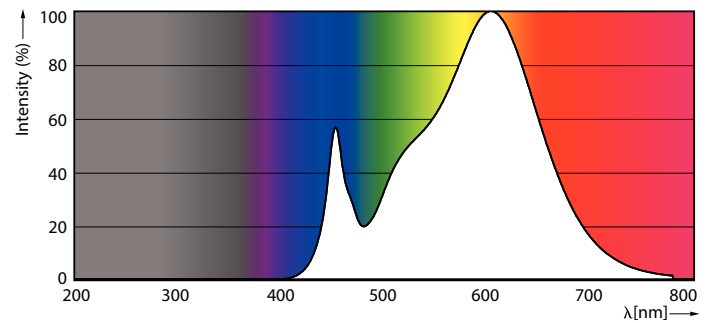
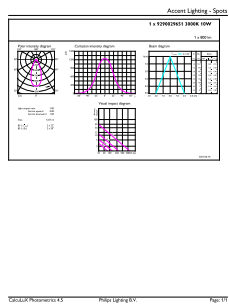
Order product name	CorePro LEDspot 10-75W 830 AR111 40D
Order code	929002965102
Numerator - Quantity Per Pack	1
Numerator - Packs per outer box	6
Material number (12NC)	929002965102
Full product name	CorePro LEDspot 10-75W 830 AR111 40D
EAN/UPC - Case	8719514305359

Dimensional drawing



Product	D	C
CorePro LEDspot 10-75W 830 AR111 40D	110.7 mm	55 mm

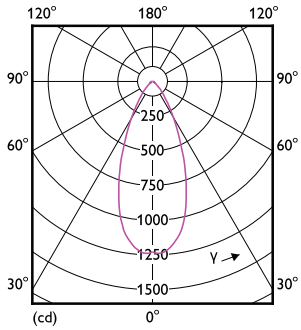
Photometric data



Spectral Power Distribution Colour - CorePro LEDspot 10-75W 830 AR111 40D

CorePro LEDspot AR111

Photometric data

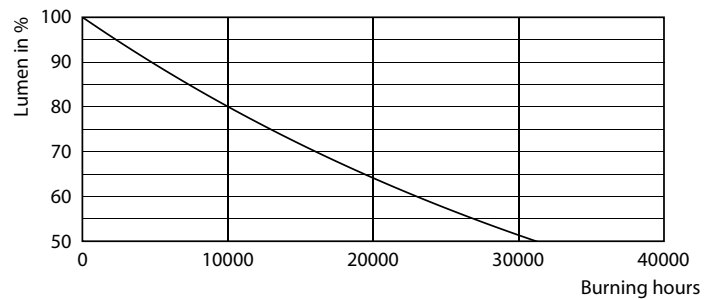


Light Distribution Diagram - CorePro LEDspot 10-75W 830 AR111 40D

Lifetime



Life Expectancy Diagram - CorePro LEDspot 10-75W 830 AR111 40D



Lumen Maintenance Diagram - CorePro LEDspot 10-75W 830 AR111 40D

