



MASTER VALUE LEDspot PAR



MAS LEDspot VLE D 9.5-75W 930 PAR30S 25D

With its robust design and warm-white beam of light, these new-generation PAR lamps are ideal for general lighting and spot lighting in the hospitality industry. It's a dimmable solution. They are especially suitable for public areas such as lobbies, corridors, stairwells, where the light is always on. The product offers more energy saving comparing with normal LED spots.

Product data

General Information	
Cap-Base	E27
Nominal lifetime	25,000 hour(s)
Switching Cycle	50,000
Lighting Technology	LED
Flux measurement reference	Narrow Cone
Light Technical	
Color Code	930 [CCT of 3000K]
Beam Angle (Nom)	25 degree(s)
Luminous Flux	760 lm
Luminous Intensity (Nom)	3,000 cd
Color Designation	White (WH)
Correlated Color Temperature (Nom)	3000 K
Luminous Efficacy (rated) (Nom)	80 lm/W
Color Consistency	<6
Color rendering index (CRI)	90
LLMF At End Of Nominal Lifetime (Nom)	70 %
Luminous Flux in 90° Cone (Rated)	760 lm

Photobiological safety according to EN 62471	RG1
Operating and Electrical	
Line Frequency	50 to 60 Hz
Input Frequency	50 to 60 Hz
Power Consumption	9.5 W
Lamp Current (Nom)	60 mA
Wattage Equivalent	75 W
Starting Time (Nom)	0.5 s
Warm-up time to 60% light	0.5 s
Power Factor (Fraction)	0.7
Voltage (Nom)	220-240 V
Temperature	
T-Case Maximum (Nom)	80 °C
Controls and Dimming	
Dimmable	Only with specific dimmers

MASTER VALUE LEDspot PAR

Mechanical and Housing

Bulb Finish	Clear
Bulb Shape	PAR30S
Net Weight (Piece)	0.160 kg

Approval and Application

Energy Efficiency Class	F
Suitable For Accent Lighting	Yes
Energy Consumption kWh/1000 h	10 kWh
EPREL Registration Number	1121747
CE mark	Yes
EU RoHS compliant	Yes
EyeComfort	Yes
Flickering value (PstLM) - Flickering value as per EN 61000-3-3	1
Stroboscopic effect visibility measure (SVM)	0.4

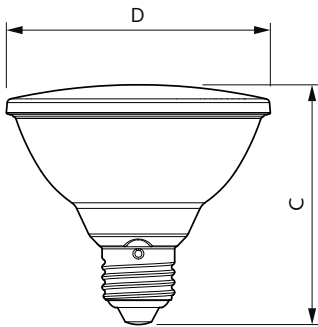
Application Conditions

can it be used in closed luminaires	No
-------------------------------------	----

Product Data

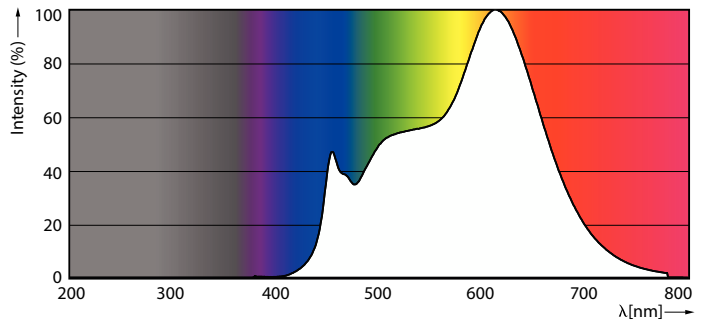
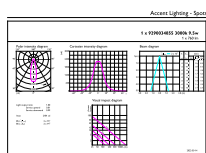
Order product name	MAS LEDspot VLE D 9.5-75W 930 PAR30S 25D
Full product name	MAS LEDspot VLE D 9.5-75W 930 PAR30S 25D
Full product code	871951444322800
Order code	929003485502
Material Nr. (12NC)	929003485502
Numerator - Quantity Per Pack	1
EAN/UPC - Product/Case	8719514443228
Numerator - Packs per outer box	6
EAN/UPC - Case	8719514443235

Dimensional drawing



Product	D	C
MAS LEDspot VLE D 9.5-75W 930 PAR30S 25D	95 mm	86 mm

Photometric data

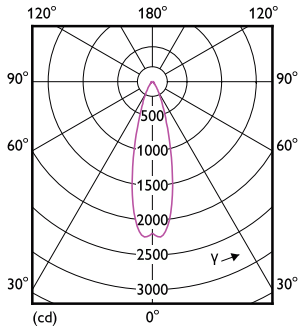


Accent Lighting Spots - MAS LEDspot VLE D 9.5-75W 930 PAR30S 25D

Spectral Power Distribution Colour - MAS LEDspot VLE D 9.5-75W 930 PAR30S 25D

MASTER VALUE LEDspot PAR

Photometric data



Light Distribution Diagram - MAS LEDspot VLE D 9.5-75W 930 PAR30S 25D

Lifetime



Life Expectancy Diagram



Lumen Maintenance Diagram - MAS LEDspot VLE D 9.5-75W 930 PAR30S 25D

