

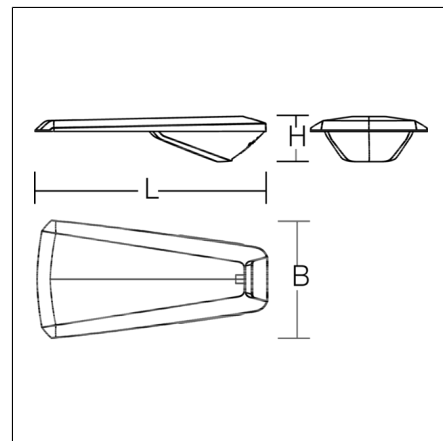
# MINGATA midi

612181.0031.1.76 | Pole luminaires



Outdoor luminaires and pole top luminaires  
4051859366768  
L 700, B 340, H 100

Pole mounting  
anthracite metallic (DB703)



Functional pole-side and pole-top luminaire in a modern design. Housing made of corrosion-resistant die-cast aluminium, seawater resistant powder-coated. Pole-top fixing with integrated cable routing and stainless steel screws. With membrane valve as a standard to avoid condensed water. Cover clear single-pane toughened glass. Asymmetrical light distribution for area lighting (P or C lighting classes). Luminaires for pole top  $\varnothing$  76 mm (with optional adapter sleeve, also suitable for pole top  $\varnothing$  60 mm). Tool-free maintenance / replacement by Eccentric-Lock system with disconnect plug and Hybrid-Lock-System. 4 x 1.0 mm<sup>2</sup> connecting cable included, length 8 m.

## Product specifications

Length L	700 mm
Width B	340 mm
Height H	100 mm
Weight	8 kg
Light source	LED
Colour temperature	4000 K
Rated luminous flux	8000 lm
System power	51 W
System efficiency	157 lm/W
Glare evaluation UGR (4H 8H)	38
Beam angle	56°/67°/56°/0°
Rated life	100000 h (L80/B50)
Colour rendering index (CRI)	70
Colour tolerance	3
Photobiological safety according to EN 62471	Risk group 1
Driver	Converter, dimmable
Control	DALI
Voltage	220 - 240 V / 50 Hz, 60 Hz
Luminaires on B10A fuse	7
Luminaires on B16A fuse	11
Inrush current / Inrush current duration	65 A / 160 $\mu$ s
CIE Flux Code / CEN Flux Code	34 74 98 100 100
Type of protection	IP 66
Protection class	II
Filament test	960 °C
Impact resistance	IK08
Ambient temperature	-20 °C ... + 50 °C
Conformity mark	CE, EAC

## Accessories



982562.000  
Reducing adapter  $\varnothing$  60 mm



982588.000  
Pole bracket for 2 luminaires, uncoated

# MINGATA midi

612181.0031.1.76 | Pole luminaires



982589.000  
Pole bracket for 3 luminaires, uncoated



982590.000  
Pole bracket for 4 luminaires, uncoated



982591.000  
Wall bracket, uncoated



61199.009  
Fuse box



982591.0031  
Wall bracket, powder-coated