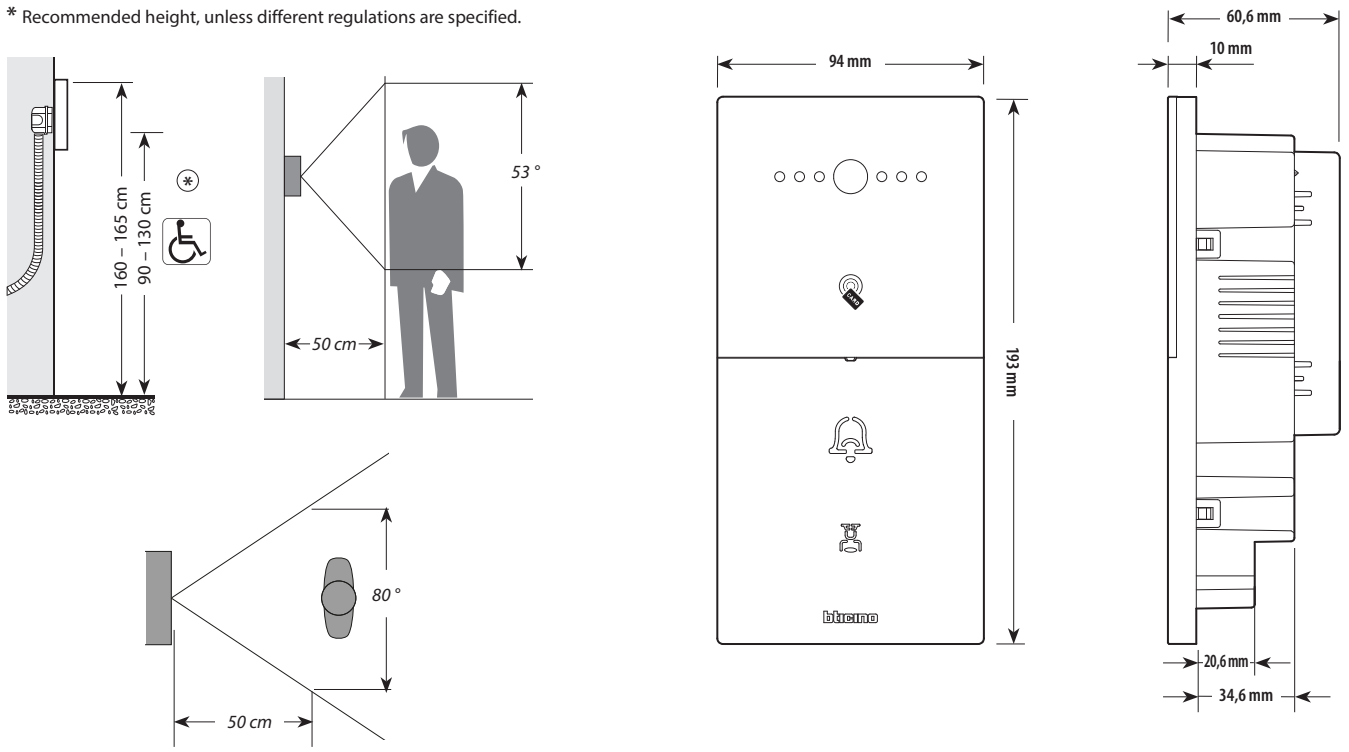
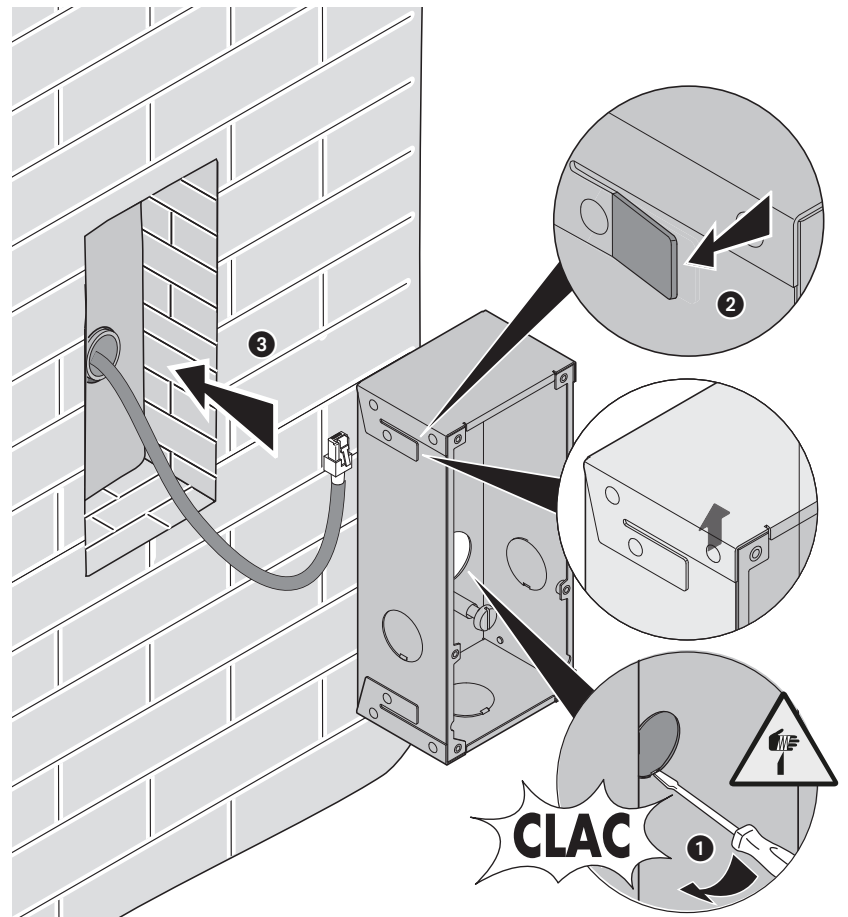
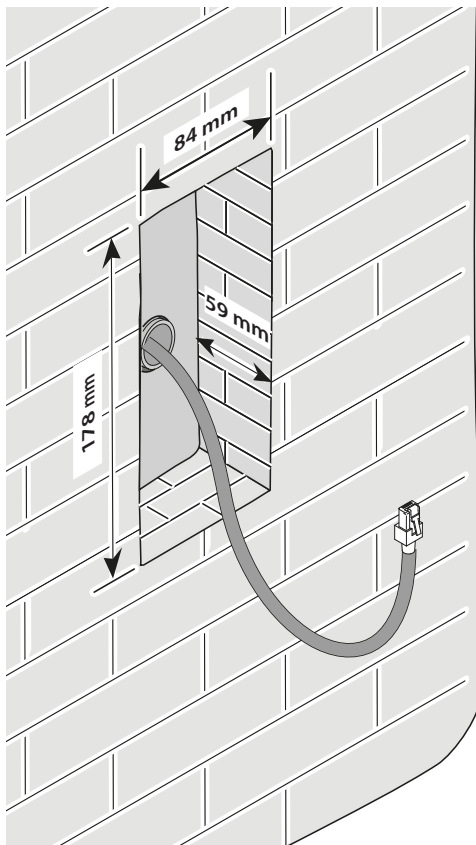



## Dimensional data

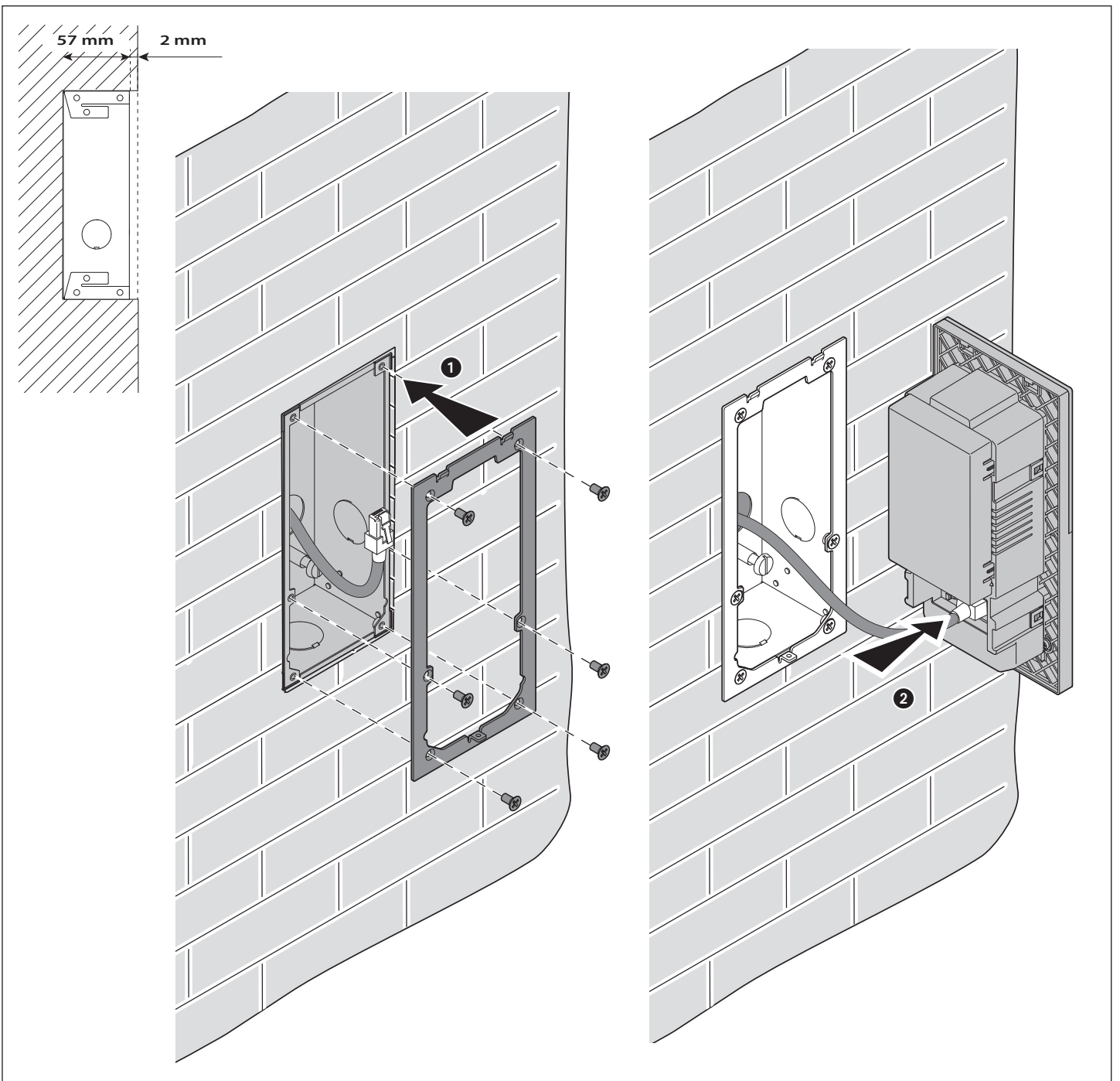
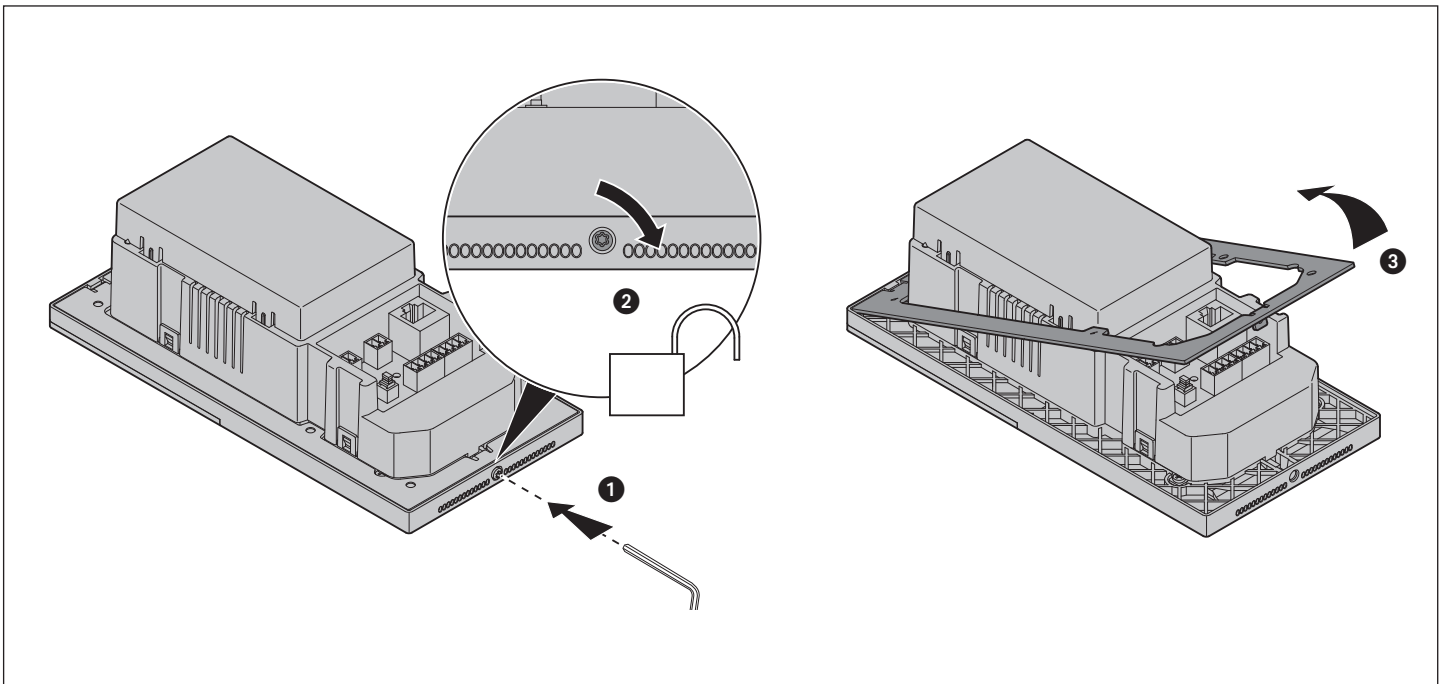
\* Recommended height, unless different regulations are specified.

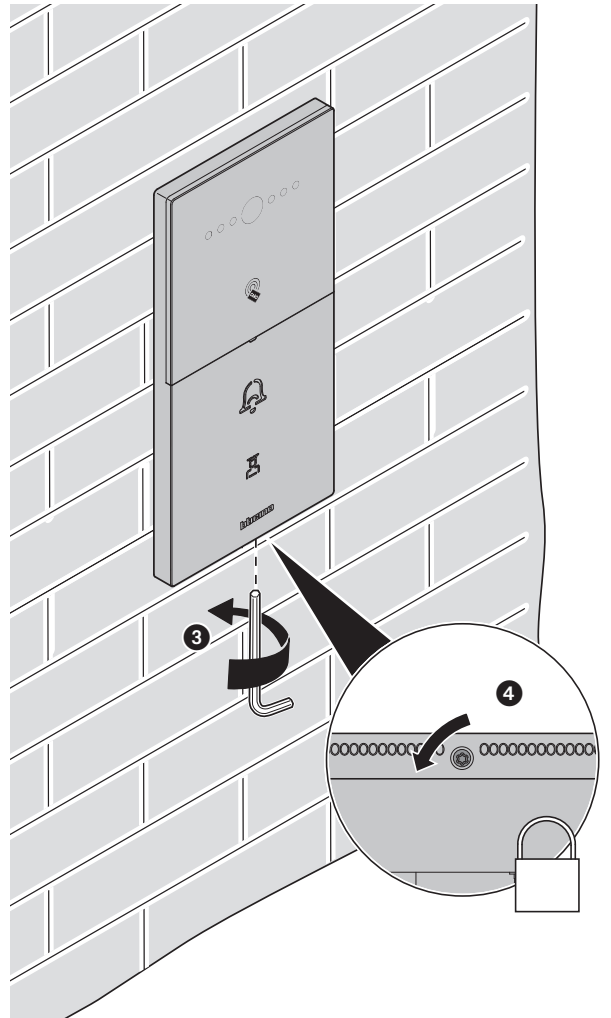
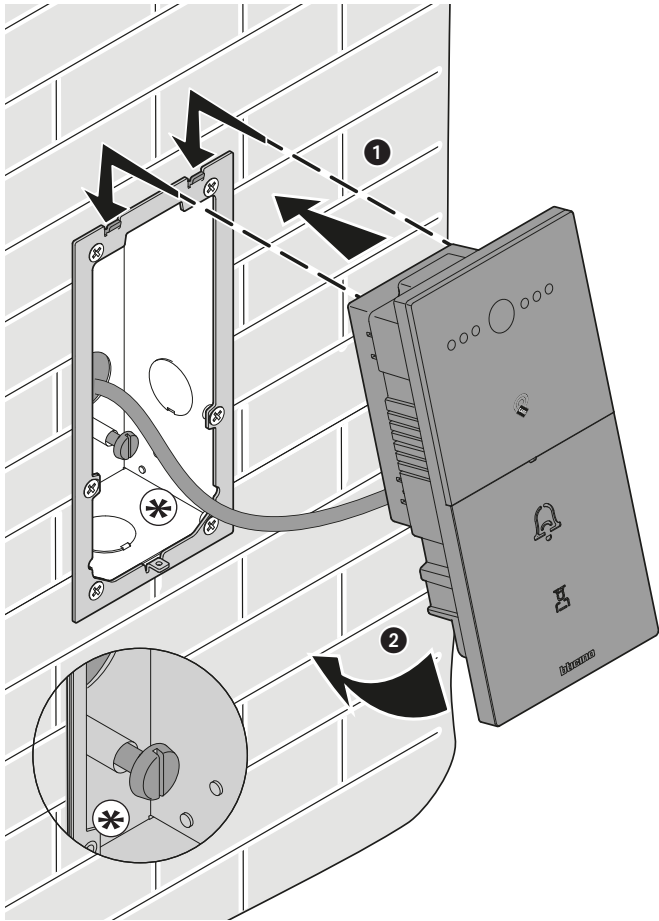


## Installation



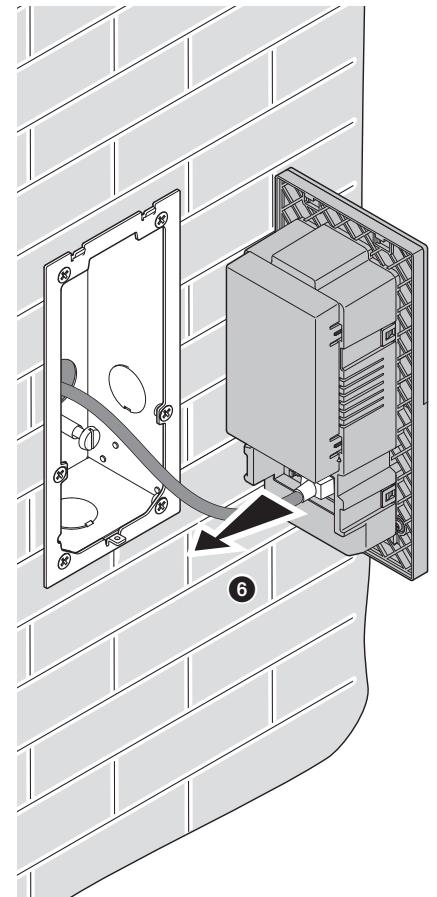
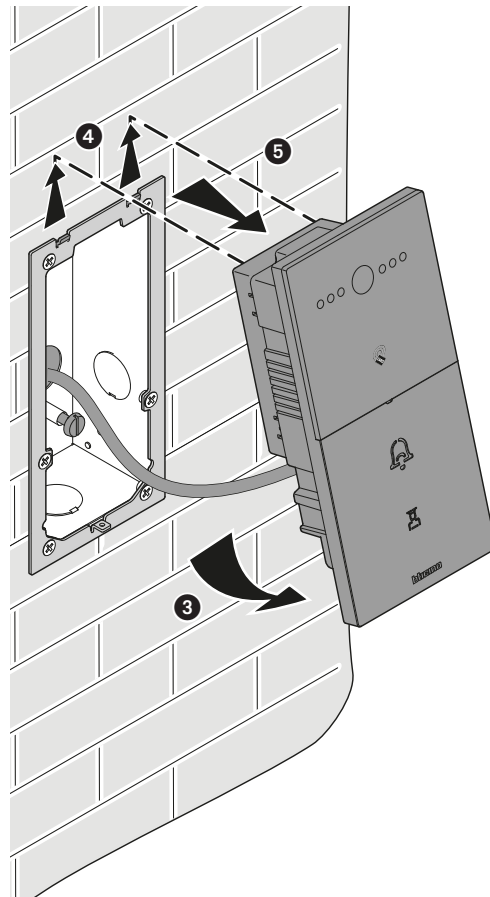
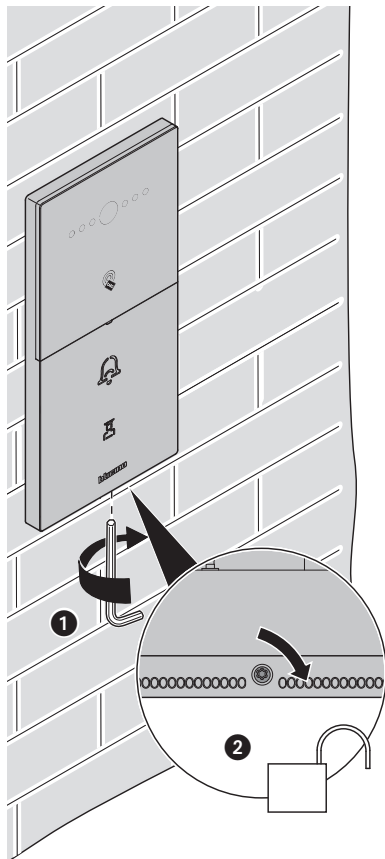
 The RJ45 cable must be at least 200 mm long



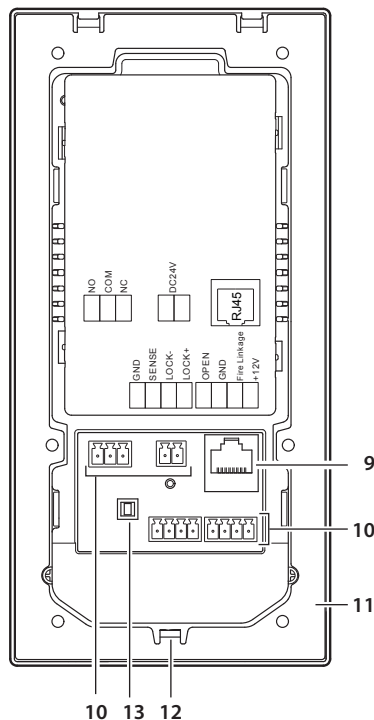
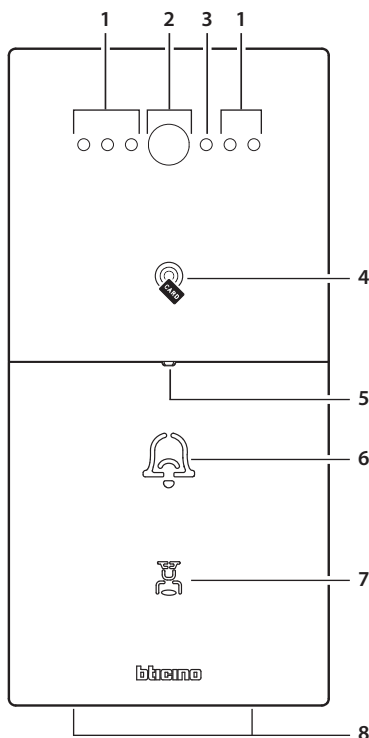


\* Adjust the tamper screw so that it presses the tamper switch of the device and activates the anti-theft function in case of removal sending an alarm to the guard station.

### Uninstall



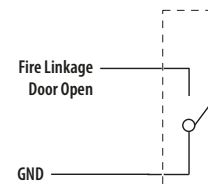
## Front and rear view



1. LED for the shooting field lighting
2. Camera
3. Light sensor
4. Badge reader for door lock opening
5. Microphone
6. Call key
7. Guard station call key
8. Loudspeaker
9. RJ45 Connector (\*)
10. Connection clamp
11. Mounting bracket
12. Locking screw
13. Tamper switch

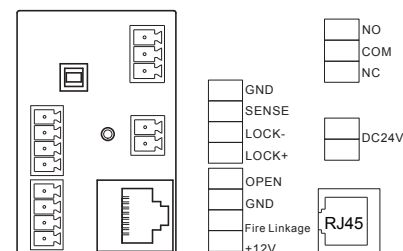
(\*)

This device does not support standard POE power supplies, but only POE power supplies identified with item no. 375002. Connect the cat5/5e/6 FTP or cat5/5e/6 UTP cable with ferrite supplied to the connector.



### Connection clamp

GND	system common ground terminal for RS485 connection
SENSE	door lock status signal input (dry contact)
LOCK-	electric door lock connection and control (12V - 4A impulsive on 3 Ohm maximum)
LOCK+	
OPEN - GND	third party access control signal input for door lock opening (+12Vdc pulse)
FIRE Linkage - GND	local door lock release pushbutton connection for firealarm system
+12V	access control devices power supply
NO	interlocked contact
COM	
NC	
DC24V	additional power supply clamps (not polarized)



### Configuration

The device must be configured by software. For software download, installation device documentation and for any other information, refer to the website.



[www.homesystems-legrandgroup.com](http://www.homesystems-legrandgroup.com)

### Technical data

Voltage	24 Vdc
Maximum consumption	0.65 A
C NC NO contact output	125 Vac/0.5A, 30Vdc/2A
Max. cable section for clamps	0.8 mm <sup>2</sup>
Operating temperature	(- 40) - (+ 70) °C
IP degree of protection	54
IK degree of protection	07
Camera resolution	1080 p
Camera viewing field angle	H= 80°; V= 53°
Face recognition distance during daytime	30-80 cm
Face recognition distance at night	30-50 cm
Badge reader Frequency	13.56 MHz
Badge reader transmission power	< 42 dBuA/m @ 10m

### Warnings and consumer rights



Read carefully before use and keep for future reference

Touching the units with wet hands is forbidden

Using liquid cleaners or aerosols is forbidden

Blocking the ventilation openings is forbidden

Modifying the devices is forbidden



Removing protective parts from the devices is forbidden

Installing the units near liquids and powders is forbidden

Installing the units near heat sources is forbidden

Installing the units near harmful gases, metal dusts or similar is forbidden

Fastening the units on unsuitable surfaces is forbidden



Danger of electrical shock



Risk of devices falling because the surface on which they are installed collapses or inappropriate installation

Switch the power supply OFF before any work on the system

Caution: Installation, configuration, starting-up and maintenance must be performed exclusively by qualified personnel.



Check that the wall installation has been carried out correctly

Lay out the wires respecting the standards in force

Connect the power supply wires as indicated

Use only the items indicated in the technical specifications for any system expansions



Remote operation may cause damage to people or property.

Hereby, BTicino S.p.A., declares that the radio equipment type Small entrance panel 374004 is in compliance with Directive 2014/53/EU.

The full text of the EU declaration of conformity is available at the following internet address: [www.bticino.it/red](http://www.bticino.it/red)