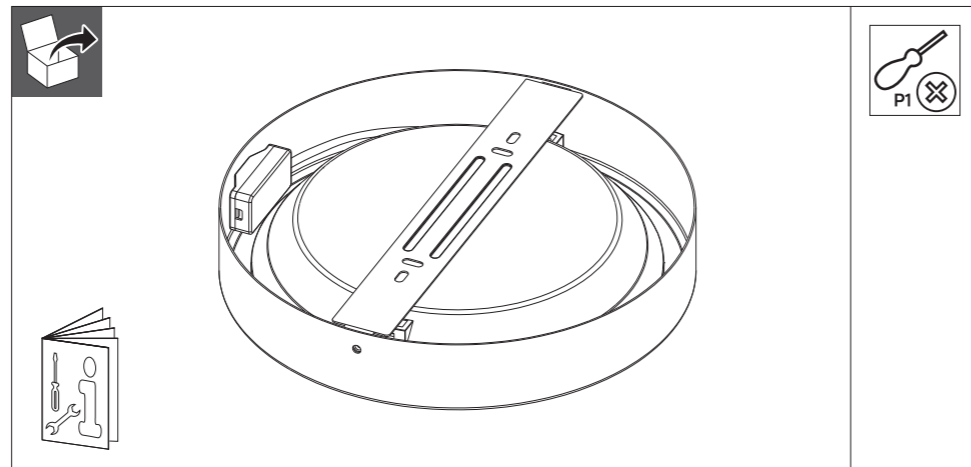
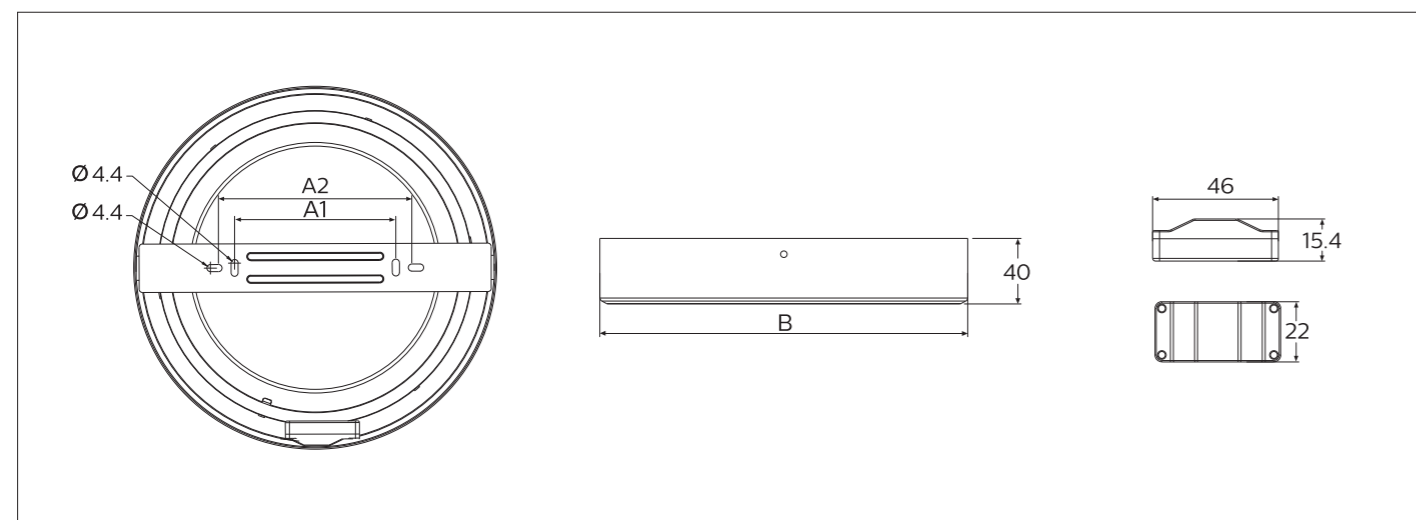




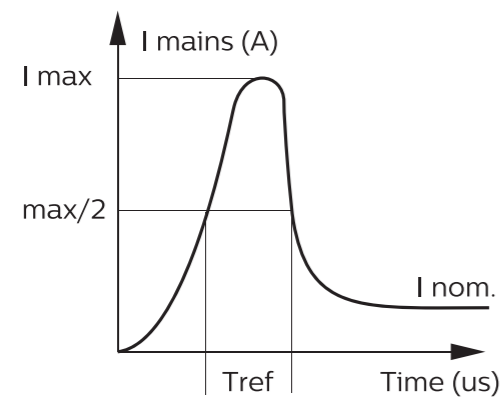
Surface Downlight
DN027C



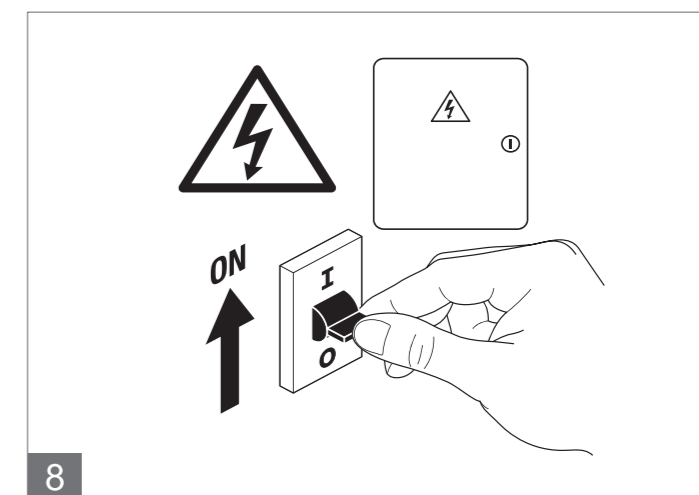
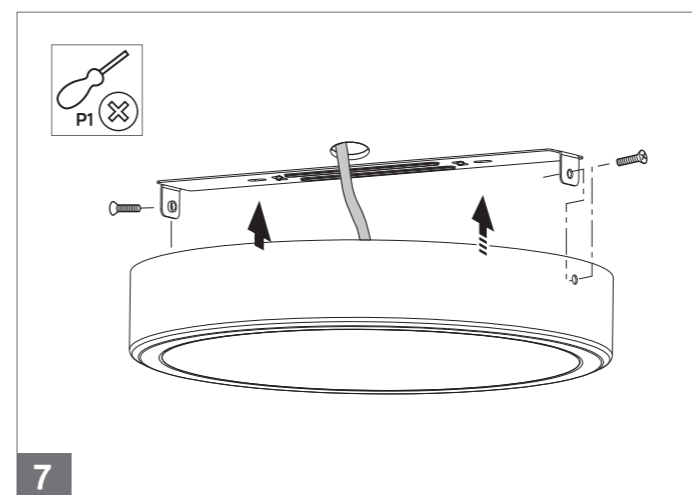
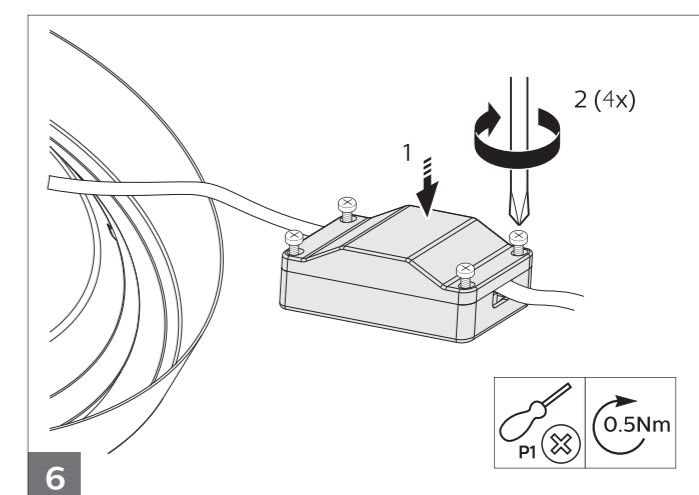
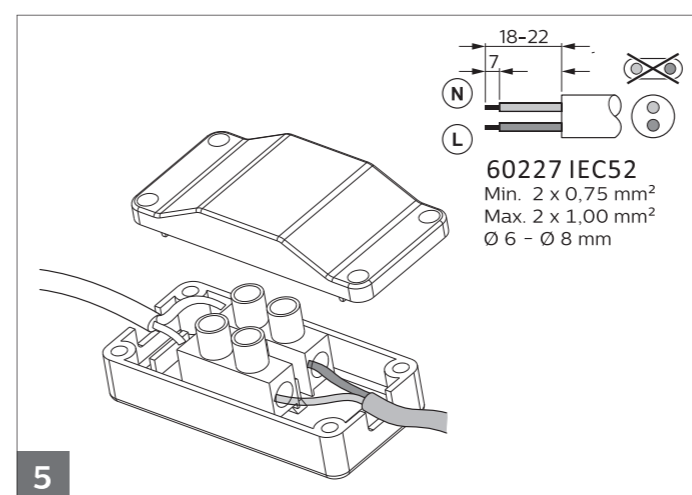
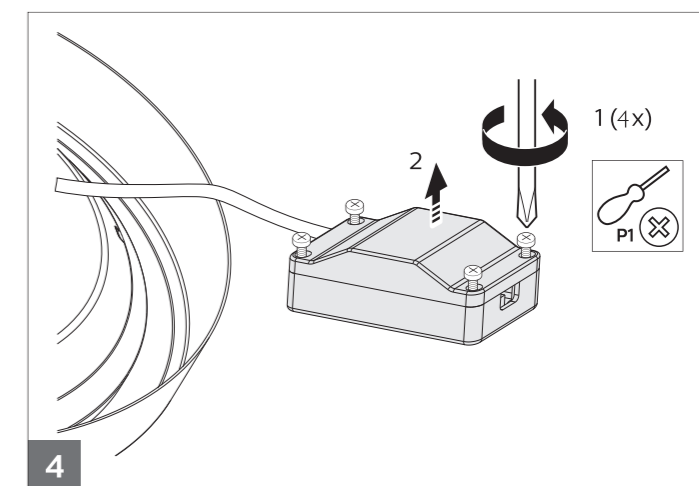
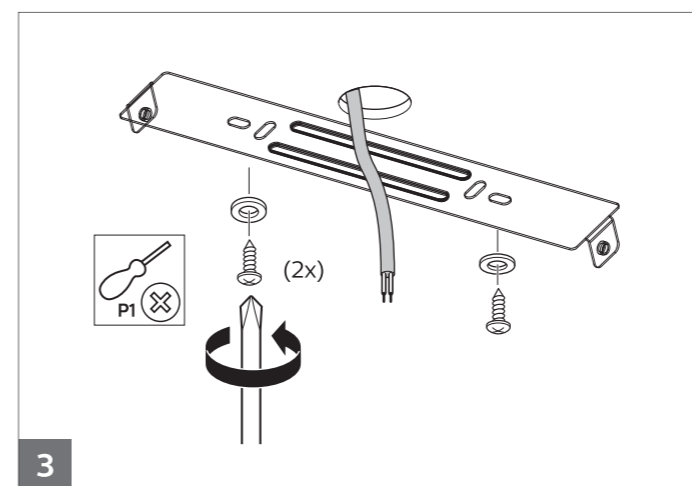
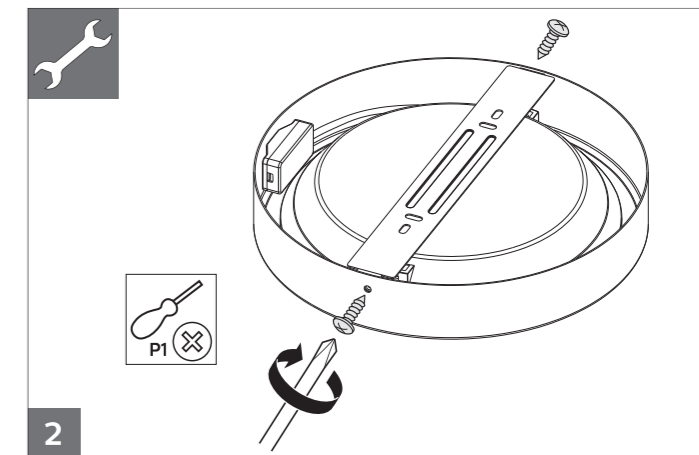
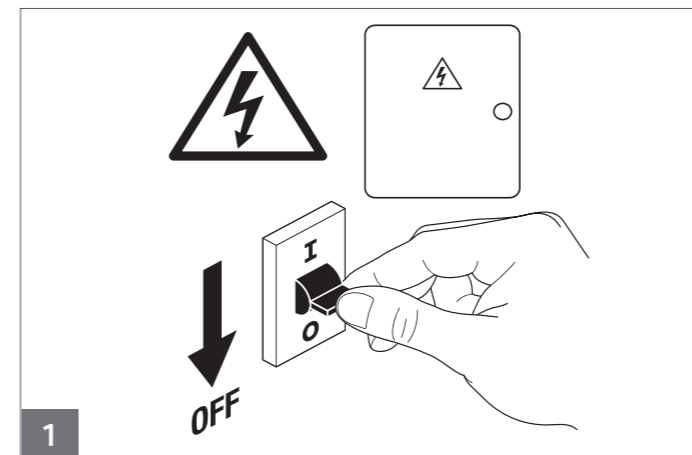
Product Type	Product description	CCT (K)	lumen output (lm)	Wattage (W)	A1 (mm)	A2 (mm)	B (mm)	kg
9290020341	MZD DN027C LED9/830 11W 220V D175 RD	3000	900	11	100	120-130	175	0.47
9290020342	MZD DN027C LED9/840 11W 220V D175 RD	4000	950					
9290020350	MZD DN027C LED19/830 23W 220V D225 RD	3000	1900	23	100	120-130	225	0.70
9290020351	MZD DN027C LED19/840 23W 220V D225 RD	4000	1950					



Inrush current



	D175	D225
Electrical characteristics		
I max(A)	15	16
Tref(us)	198	219
MCB	Luminares Max	
B-16A	43	68
C-16A	33	55



If the external flexible cable or cord of this luminaire is damaged, it shall be replaced by a special cord or cord exclusively available from the manufacturer or his service agent.
The light source of this luminaire is not replaceable; when the light source reaches its end of life the whole luminaire shall be replaced.