

Installation sirens and buzzers / Electronic Audible Signal Devices

Electr. Buzzer EM Contin/pulse 24VDC BK**Part No.:** 111.000.55**MECHANICAL DATA**

Height	72 mm
Diameter	50 mm
Materials	PC PC/ABS
Housing colour	Black
Protection category	IP65
Connection	Screw terminals
cross-sectional area maximum	1,50mm ² / 16AWG
Type of fixing	Built-in mounting
Working temperature minimum	-20°C
Working temperature maximum	+50°C
Weight with packaging	50 g
Product weight	40 g

ELECTRICAL DATA

Operating voltage	24V
Operating voltage type	DC
Operating voltage tolerance	+/- 10%
Rated operational voltage	24 VDC
Rated operational current	25 mA
Rated inrush current	350 mA
Protection class	Protection class 2
Pollution degree	3 In the connection area: 2

ACOUSTIC DATA

Volume (max) at 1m distance	80,0 dB (A)
Acoustic signal image	Continuous tone Pulse tone
Audio frequency	2800 Hz
Acoustic service life	5,000 h minimum

APPROVAL DATA

Conforms with CE	Yes
Conforms with RoHS directive	Yes
WEEE	Yes
Conforms with ATEX-directive	No
Conforms with CCC	No
Conforms with UL	No
Conforms with FCC	No



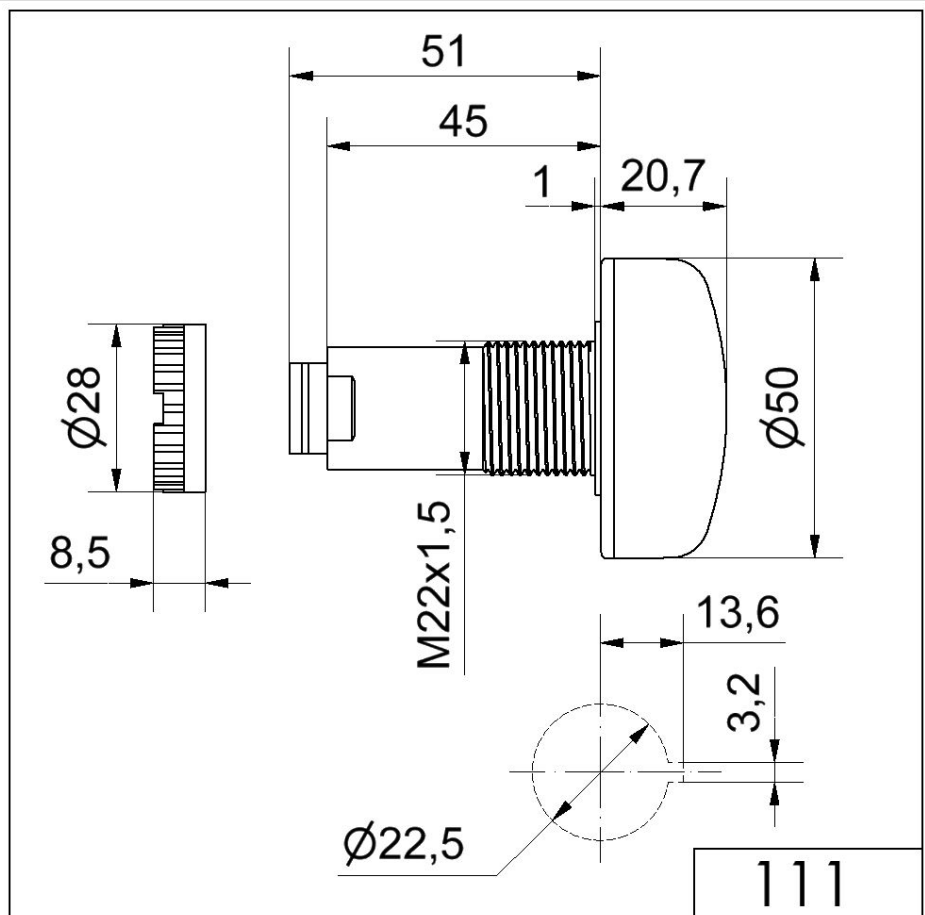
For additional installation and mounting information, refer to the appropriate user guide at www.werma.com. This printed copy is for information only and is subject to alteration.

Installation sirens and buzzers / Electronic Audible Signal Devices

Electr. Buzzer EM Contin/pulse 24VDC BK

Conforms with IC	No
EAC certificate available	Yes
Conforms with UKCA (Importer)	Yes (WERMA (UK) Ltd.)
Conforms with AS-I	No
ICAO Certification	No
Conforms with DNV	No
Conforms with RoHS CN	No
Conforms with VdS	No

DRAWING



! For additional installation and mounting information, refer to the appropriate user guide at www.werma.com. This printed copy is for information only and is subject to alteration.